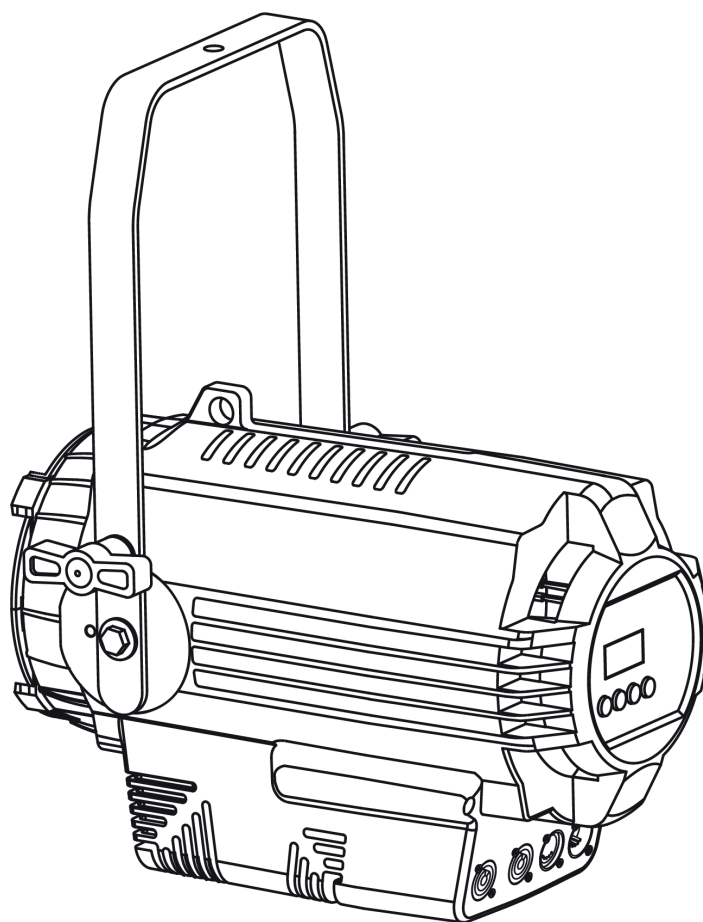




TRITON BLUE

HORIZON E300 RGBAL

ENGINE MOTOR WITH RGBAL LED
BASE RECORTE LED RGBAL



MANUAL DE USUARIO USER'S MANUAL

Este manual contiene información importante: léalo antes de poner el dispositivo en funcionamiento.

This manual contains important information: read it before operating the device.



MADE IN PRC

Siluj Iluminación S.L. C/ La Raya 110 – Polígono Industrial Trobajo del Camino, 24010, León, Spain

www.triton-blue.com

VERSION 2 - ABRIL 2026

INDEX / ÍNDICE

ENGLISH

WELCOME TO TRITON BLUE.....	1
SAFETY INSTRUCTIONS.....	1
IMPORTANT INFORMATION.....	2
PACKAGE CONTENT.....	3
TECHNICAL PARAMETERS.....	3
EQUIPMENT INSTALLATION AND MAINTENANCE.....	3
DATA SHEET.....	4
PHOTOMETRICS.....	5
MAIN FUNCTION.....	6
INSTALLATION AND CONNECTION DIAGRAM.....	6
USAGES AND OPERATIONS.....	7
DISPLAY FUNCTION TABLE SUBTRACT.....	9
DISPOSAL.....	9

ESPAÑOL

BIENVENIDOS A TRITON BLUE.....	10
INSTRUCCIONES DE SEGURIDAD.....	10
INFORMACIÓN IMPORTANTE.....	11
CONTENIDO DEL PAQUETE.....	12
ESPECÍFICACIONES.....	12
PRECAUCIONES EN LA INSTALACIÓN Y MANTENIMIENTO DEL EQUIPO.....	12
DATA SHEET.....	13
PHOTOMETRICS.....	14
FUNCIONES PRINCIPALES.....	15
FUNCIONES DEL PROYECTOR COMPLETO.....	16
FUNCIONES DISPLAY.....	18
RECICLAJE.....	18

DMX

DMX.....	19
----------	----

WELCOME TO TRITON BLUE

Thank you very much for choosing Triton Blue. We hope you enjoy your new product.

It has been developed and designed paying attention to the smallest details, with quality control with European standards supervised by our great team of professional technicians, who work every day to offer our customers the best quality.

We make sure that every Triton Blue product is built to last long. All our references are made with long lasting materials and our specialists are dedicated to constantly doing quality controls to guarantee the best result.

Please read carefully this manual in order to use your Triton Blue product in the best way. Do not hesitate to visit our website for further information: www.triton-blue.com

SAFETY INSTRUCTIONS

GENERAL INFORMATION

- It is important to read and follow the instructions carefully.
- Keep all information and instructions in a secure location.
- Always follow the instructions provided.
- Take note of all safety warnings and never remove them from the equipment.
- Use the equipment only as intended and for its intended purpose.
- Ensure that the stands and/or mounts used are sufficiently stable and compatible for fixed installations. Wall mounts should be properly installed and secured, and the equipment should be installed securely to prevent falls.
- When installing the equipment, be sure to observe the relevant safety regulations in your country.
- Do not install or operate the equipment near sources of heat, such as radiators, heat registers, or ovens, and ensure that it is always cooled sufficiently and cannot overheat.
- Do not place sources of ignition, such as burning candles, on the equipment.
- Keep ventilation slits unobstructed.
- Ensure that no dripping or splashed water can enter the equipment and do not place containers filled with liquids on the equipment.
- Prevent objects from falling into the equipment.
- Use the equipment only with recommended accessories intended by the manufacturer.
- Do not attempt to open or modify the equipment.
- Check all cables after connecting the equipment to prevent accidents or damage due to tripping hazards.
- During transport, take steps to prevent the equipment from falling and causing damage or injury.
- If the equipment is not functioning properly, fluids or objects have gotten inside, or is otherwise damaged, switch it off immediately and unplug it from the power outlet (if applicable). Only authorized, qualified personnel should repair the equipment.
- Clean the equipment with a dry cloth.
- Comply with all applicable disposal laws and separate plastic and paper/cardboard during packaging disposal.
- Keep plastic bags out of the reach of children.

FOR DEVICES DESIGNED TO BE CONNECTED TO THE MAIN POWER SUPPLY:

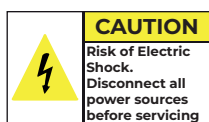
ENGLISH

ESPAÑOL

DMX

- ATTENTION: If your equipment has a power cord with a grounding plug, it must be connected to a wall outlet with a ground connection. Never remove the grounding plug from the power cord.
- If your equipment has been exposed to extreme temperature changes, allow it to reach room temperature before turning it on. Otherwise, moisture and condensation may damage the equipment.
- Before plugging in the equipment, make sure that the voltage and frequency of the power outlet match the specifications of the equipment. If the equipment has a voltage selector, only connect it to the power outlet if the values match. If the power cord or adapter does not fit your outlet, contact an electrician.
- Do not step on the power cord. Make sure it is not pinched at the outlet, adapter, or equipment connection.
- Keep the power cord or adapter within reach and disconnect the equipment from the power supply when not in use or when cleaning it. Always unplug the cord or adapter by pulling the plug or adapter, not the cord. Never touch the cord or adapter with wet hands.
- Avoid frequently turning the equipment on and off, as this can reduce its useful life.
- IMPORTANT: Only replace fuses with those of the same type and rating. If a fuse repeatedly blows, contact an authorized service center.
- To completely disconnect the equipment from the power mains, unplug the power cord or adapter from the outlet.
- If your device has a Volex power connector, the mating PowerCON connector must be unlocked before it can be removed. Be careful when laying cables, as the equipment can slide or fall if the power cord is pulled.
- Unplug the power cord or adapter before an extended period of disuse or in case of lightning strike risk.
- Only install the equipment when it is disconnected from the power source.
- To prevent damage and overheating, qualified personnel should regularly clean and service the equipment depending on ambient conditions like dust, nicotine, and fog.

If the product contains the following symbols, please, read carefully:



CAUTION: To reduce the risk of electric shock, do not remove cover (or back). There are no user serviceable parts inside. Maintenance and repairs should be exclusively carried out by qualified service personnel.



The warning triangle with lightning symbol indicates dangerous uninsulated voltage inside the unit, which may cause an electrical shock.



The warning triangle with exclamation mark indicates important operating and maintenance instructions.

IMPORTANT INFORMATION

WARNING! IMPORTANT INFORMATION REGARDING LIGHTING PRODUCTS

1. This product is specifically designed for use in event technology and is not intended to be used as household lighting.
2. It is important to avoid looking directly at the light beam, even for a short period of time.
3. Optical instruments, such as magnifiers, should not be used to look directly at the beam.
4. If you are sensitive to strobe effects, it is possible that they could cause an epileptic seizure. If you have epilepsy, it is important to avoid places where strobe lights are being used.

PACKAGE CONTENT

- 1 x Horizon E300 RGBAL
- 1 x DMX512 3-pin signal cable - 2m
- 1 x Power cable with PowerCON - 1.4m
- 1 x User Manual

TECHNICAL PARAMETERS

- Voltage: AC 110-240V. 50/60Hz
- Power: 300W LED module
- Power factor: 0.93
- Weight: 5.26kg (Net Weight)
- Required lens (optional): 25/50 or 15/30

EQUIPMENT INSTALLATION AND MAINTENANCE

- Pay special attention to that if power supply voltage is consistent with the host marking, ensure that the voltage is in the identified voltage range of technical parameters.
- The bulb belongs to fragile parts. Please handle it carefully and put it in special box when not in use.
- Do not touch the quartz wall of the bulb with your hands to prevent the bulb from exploding due to uneven heat. If it gets dirty, clean it immediately with alcohol.
- Light bulbs emit intense light and lots of ultraviolet light when they work, so don't look directly at them with bare eyes.
- Check before connecting 220V AC to make sure the power switch socket is well connected. To ensure the safety of power supply, use a qualified power outlet or cut off the plug to connect the switch directly. The grounding line of this light is yellow/green.
- The bulb will produce high temperature when working, so it needs to be forced to air cooling, if the refrigeration fan motor can not work properly, do not use the followspot.
- Attention should be paid to the movement or installation and use of metal lamps to avoid collisions with lights.
- Please check if there is any damage due to transportation or screw loosening before use.
- Please install the lights in Celsius below 40°C ventilated dry environment, at the same time to ensure smooth ventilation slot.
- When using lights can not be installed on the surface of ordinary combustible objects, and more than 100 cm away from combustible objects, lights must be grounded reliable connection.
- The lens on the lamp produces visible failure degree damage, such as cracks or deep marks, should be replaced. When the light source is damaged or deformed, it should be replaced.
- During installation, wiring, commissioning and inspection, power operation is strictly prohibited and shall be carried out by professional personnel.
- Users are not allowed to alter their machines without authorization.
- The correct way to clean the mirror is to wet a clean piece of velvet with vinegar or household ammonia. Start with the center and scrub the mirror lightly. You can also scrub the mirror with water, but the spots will be left after drying. These spots can be gently wiped off with a clean dry cloth.
- When the power is disconnected, the damaged lamp tail line should be replaced in time by the professional personnel. The specification is 3x1.5² wire.

DATA SHEET

GENERAL INFO

Brand	Triton Blue
Model Name	Horizon E300 RGBAL
Code Number	10287039
EAN Number	8474407181112

LIGHT SOURCE

Source	300W COB RGBAL LED Module
LED configuration	1 COB LED x 300W
CCT	Presets: 2800K, 3000K, 3200K, 4000K, 4300K, 5600K, 6000K
CRI	>92
Luminous Flux	22500lm
Lux	Not specified

OPTICS

Zoom	Required lens (optional): 25/50 or 15/30
Lens Type	Profile optics (Compatible with ETC Source Four)
Focus	Manual

COLOUR SYSTEM

Colour Mixing	RGBAL
CCT	2800K to 6000K

DYNAMIC EFFECTS

Control Resolution	8 or 16 Bit
Gobo Size	Maximize range ϕ 48mm, outside diameter ϕ 83mm

BODY

Hardware on-board	Bracket
Body	Metal / Aluminum
Body Colour	Black

CONTROL

Protocols	DMX512, Master/Slave
DMX Channels	5 / 10 Channels
Wireless Control	No
RDM	NA
Display	LCD Display
Display Invert	Yes
Display Battery	No
Others	Dimmer curves: Linear, Square law, Inverse square law, S-curve

ELECTRONICS

Mains Power Supply	AC 110-240V, 50/60Hz
Max Power Consumption	300W
Power Factor	0.93
Inrush Current	N/A
Signal Connection	XLR 3-pin IN/OUT REAN-Neutrik
Data Connection	XLR 3-pin IN/OUT REAN-Neutrik
Power Connection	PowerCON IN/OUT REAN-Neutrik

PHYSICAL

Cooling	Air cooling + Heat pipe
Suspension and Fixing	Yoke (Insulated rear handle included)
Weight	5.26 kg (Net Weight)
Dimensions	310 x 250 x 350 mm (excluding yoke and lens)
Master Carton	2 Unit

ACCESSORIES

Accessories Included	1x 3-pin DMX cable (2m) 1x PowerCON cable (1.4m) 1x User Manual
-----------------------------	---

Opcional Accesories

Triton Blue Horizon L2550	10285812
Triton Blue Horizon L1530	10287053
Triton Blue Horizon R3 Portagobos	10287050
Triton Blue Horizon I JR	10287048
Triton Blue Horizon Iris	10285813

CERTIFICACIONES/APROBACIONES

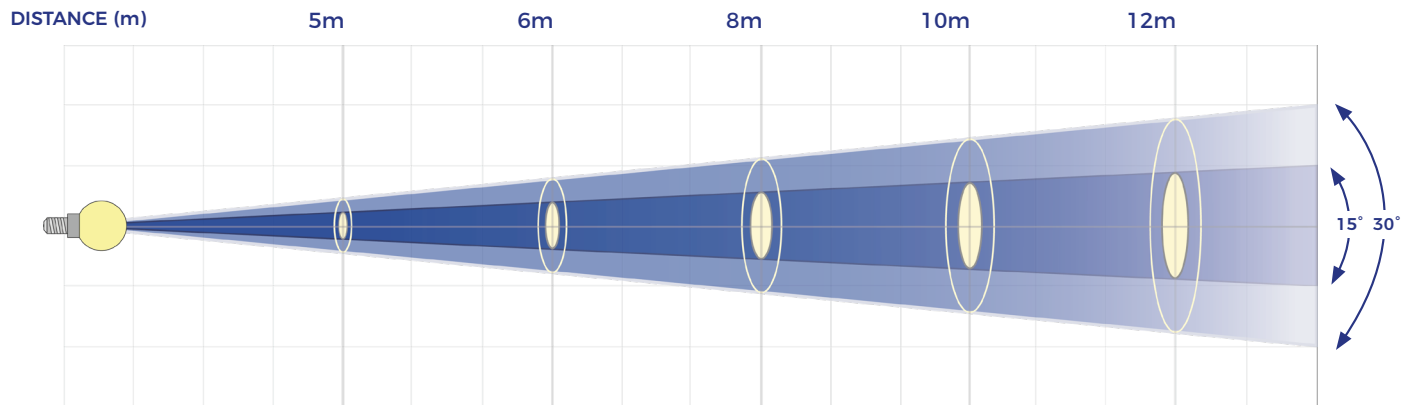
Certificaciones	CE, RoHS
-----------------	----------

PHOTOMETRICS

ENGLISH

ESPAÑOL

DMX

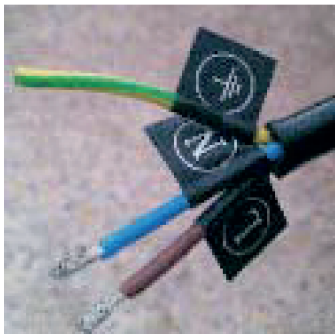



15° Lux

DISTANCE (m)	5m	6m	8m	10m	12m
R	704lx	437lx	273lx	182lx	94lx
G	816lx	622lx	360lx	233lx	156lx
B	310lx	222lx	127lx	88lx	53lx
A	1025lx	730lx	427lx	282lx	180lx
L	985lx	704lx	417lx	273lx	192lx
RGBAL	3870lx	2734lx	1588lx	1037lx	725lx

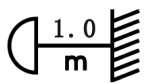
30° Lux

DISTANCE (m)	5m	6m	8m	10m	12m
R	235lx	157lx	90lx	65lx	37lx
G	313lx	223lx	129lx	80lx	48lx
B	106lx	78lx	48lx	33lx	18lx
A	374lx	261lx	153lx	101lx	55lx
L	341lx	255lx	150lx	80lx	55lx
RGBAL	1310lx	955lx	560lx	357lx	202lx

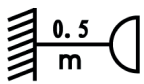


-  Earth line
- N** Null line
- L** Phase line/Live wire

- Identification



Keep the minimum distance between the lamp and the object being 1 meters.



Keep the shortest distance between the rear of the lamp and the combustible is 0.5 meters.



It does not apply directly to the surface of ordinary combustible materials.



Recycling according to EU's waste electrical and electronic requirements

MAIN FUNCTION

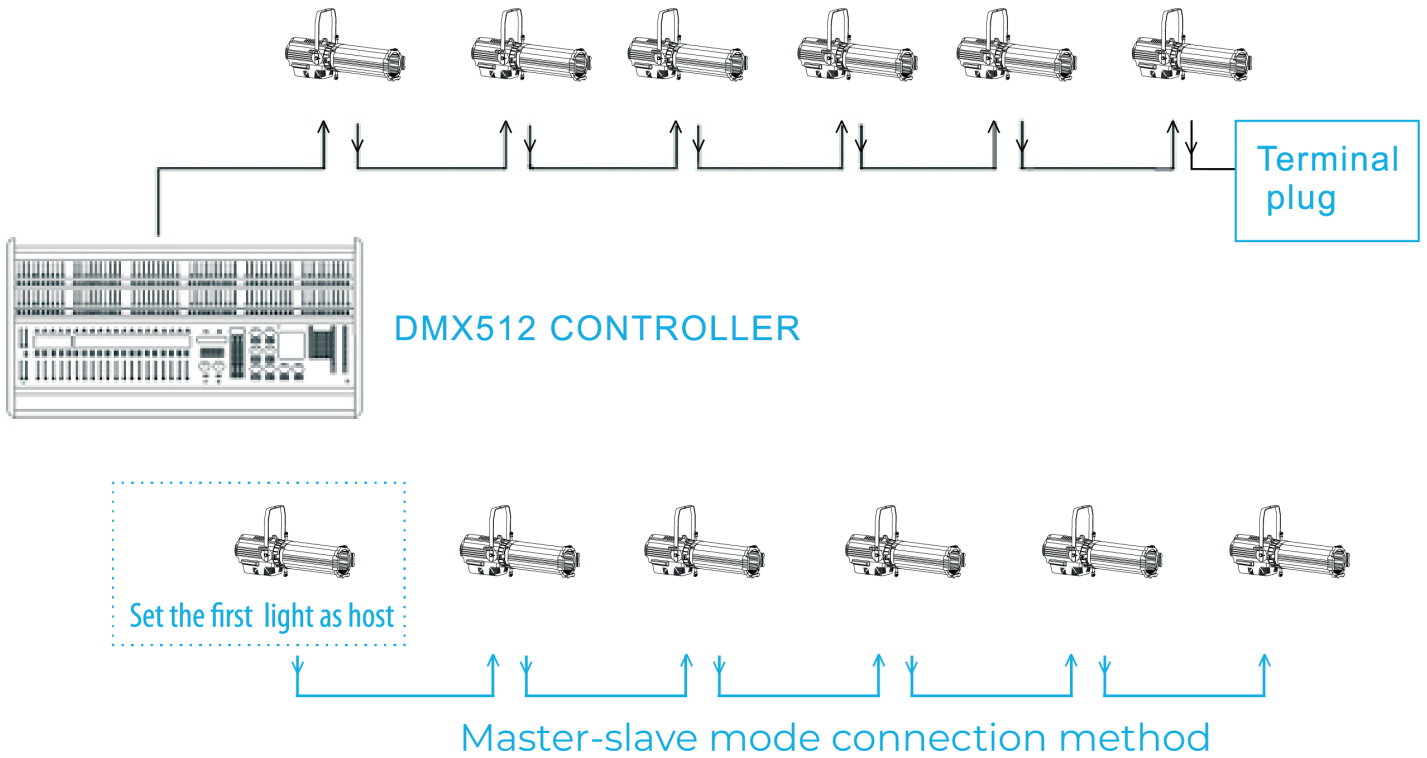
- Master-slave control, multi-machine interconnected control (up to 10 per channel).
- DMX512 control, optional DMX address.
- 8 bit gray level 256 (approve single channel control), or you can specify 16-bit gray level 65535.

INSTALLATION AND CONNECTION DIAGRAM

1) Signal connection:



Connect the signal line of the lights when use the light (as following)



The signal of LED zoom profile spotlights is connected in series; the number of each series is limited in 10. More than this number, you need to consider the signal amplifier.

USAGES AND OPERATIONS

Operating instructions:

Press menu key , can cycle out 11 different functional effects, the first two digits of the display represent the current function (reference function table). The last two digits represent the address code or speed. Press “up” key or “down” key can modify parameter values. Press “enter” key can confirm.



3. Manual test 16 bit dimming mode

The function of this mode is to test whether one single light can be operated normally, it will not send DMX512 signal to influence the lights that connected with it. Press up and down of Address at the same time, press up/ down of Dimmer to dim, will display, XXXXX is the brightness value when dimming, ranging from 0 to 65535.

Note: This state will not be reserved.

4. When the light is in the received state, it can't receive signal or can't connect the signal wire, the backlight of the liquid crystal display will flash, from which we can know that if the connect wire is connected successfully.

5. Adjust the spot

Pull out four lighting adjusted slice (1) completely, connect the power and control lighting. Adjust two focusing knob can adjust the spot to different diameter. Tighten the focusing knob (3) when you get the diameter you need and the spot is clear.

6. Gobo

If you want to print some picture, firstly you should choose the gobo holder of our company (the maximize range the picture should be $\phi 64.5\text{mm}$, outside diameter $\phi 86\text{mm}$). The displayed picture is reversed. Put the gobo into gobo holder, and then put it into the gobo notch (2). Lighten the light and adjust the position of the focusing knob (3), image of different diameter will display. Tighten the focusing knob (3) when you get the diameter you need and the spot is clear.

7. Spot cutting

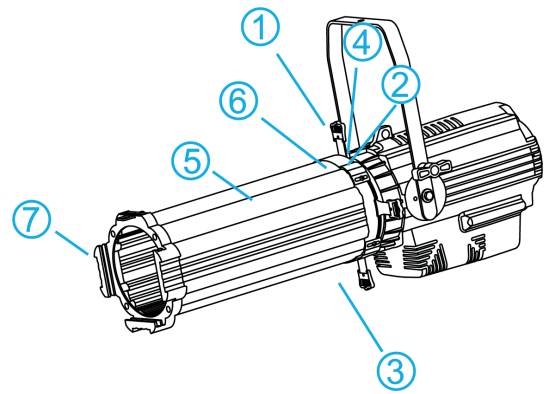
The spot of different shape will display when adjusting four lighting adjusted slice (1). If you have special need, you can unscrew the front device (4). The image can incline 45° by turning the front device (5).

8. Iris

If more spot of different diameter are needed, you can choose our company's iris. Loose the screw of the door (6) on the top of the light, move forward to expose the bayonet, put the iris inside, adjust the size of the iris, different size spot will display.

9. Color film

If you need color rendering, clip the color paper with color clamp, open the position (7) and put the color clamp in it. Or you can use our company's color change frame for profile spotlight, controlled by DMX512 signal, RGBAL colors blending for more brilliant color.



DISPLAY FUNCTION TABLE SUBTRACT

ENGLISH

ESPAÑOL

DMX

N°	Display	Function Description
1	DMX-10CH D:001	9 channel address code (001-512) up /down key change address code value
2	DMX-5CH D:001	5 channel address code (001-512) up /down key change address code value
3	Function [099]	jump change (01-99) up /down key change jump speed
4	Gchange [099]	gradually change (01-99) up /down key modify the speed of gradient & pulse change
5	Pulse D:[099]	pulse change (01-99) up /down key modify the speed of gradient & pulse change
6	Voice Running	voice change
7	Color R D:255	red choose color (000-255) up /down key modify color
8	Color G D:255	green choose color (000-255) up /down key modify color
9	Color B D:255	blue choose color (000-255) up /down key modify color
10	Color A D:255	lime choose color (000-255) up /down key modify color
11	Color L D: 255	amber choose color (000-255) up /down key modify color

DISPOSAL

Packaging:



1. The packaging can be recycled using standard disposal methods and reintroduced into the reusable material cycle.
2. Please follow the laws and regulations regarding disposal and recycling of packaging in your country.

Device:



1. This device is subject to the Waste Electrical and Electronic Equipment (WEEE) Directive of the European Union. Used appliances should not be disposed of with household waste. Used device must be disposed of through an approved disposal company or a municipal disposal facility. Please comply with the applicable regulations in your country.
2. Please follow all the disposal laws and regulations in your country.
3. As a customer, you can obtain information on environmentally-friendly disposal options from the product seller or the appropriate regional authorities.

BIENVENIDO A TRITON BLUE

Muchas gracias por elegir Triton Blue. Esperamos que disfrute de su nuevo producto. Ha sido desarrollado y diseñado cuidando hasta el más mínimo detalle, con un control de calidad con estándares europeos supervisado por nuestro gran equipo de técnicos profesionales, que trabajan día a día para ofrecer a nuestros clientes la mejor calidad.

Nos aseguramos de que cada producto Triton Blue esté diseñado para durar mucho tiempo. Todas nuestras referencias están fabricadas con materiales de larga duración y nuestros especialistas se dedican a realizar constantemente controles de calidad para garantizar el mejor resultado.

Lea atentamente este manual para utilizar su producto Triton Blue de la mejor manera. No dudes en visitar nuestra web para más información: www.triton-blue.com

INSTRUCCIONES DE SEGURIDAD

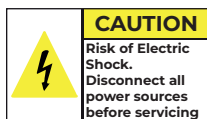
INFORMACIÓN GENERAL

- Es importante leer y seguir las instrucciones cuidadosamente.
- Guarde toda la información y las instrucciones en un lugar seguro.
- Siga siempre las instrucciones de este manual antes de cualquier operación con el aparato.
- Tome nota de todas las advertencias de seguridad y nunca las elimine del equipo.
- Utilice el equipo únicamente según lo previsto y para el fin previsto.
- Asegúrese de que los soportes y/o soportes utilizados sean lo suficientemente estables y compatibles para instalaciones fijas. Los soportes de pared deben asegurarse correctamente, y el equipo debe instalarse de forma segura para evitar caídas.
- Al instalar el equipo, asegúrese de observar las normas de seguridad pertinentes de su entorno legal (CE, nación, comunidad).
- No instale ni utilice el equipo cerca de fuentes de calor, como radiadores, rejillas de calor u hornos, y asegúrese de que siempre se enfríe lo suficiente y no se sobrecaliente.
- No coloque fuentes de ignición sobre el equipo, como velas encendidas y mantenga las ranuras de ventilación despejadas.
- Asegúrese de que no entren gotas o salpicaduras de agua en el equipo y no coloque recipientes llenos de líquidos sobre el equipo.
- Evite que caigan objetos dentro del equipo.
- Utilice el equipo únicamente con los accesorios recomendados por el fabricante.
- No intente abrir o modificar el equipo.
- Verifique que todos los cables estén perfectamente colocados después de conectar el equipo, para evitar accidentes o daños debido a riesgo de tropiezos.
- Durante el transporte, tome medidas para evitar que el equipo se caiga y cause daños o lesiones.
- Si el equipo no funciona correctamente, han caído líquidos u objetos en su interior o está dañado, apáguelo inmediatamente y desenchúfelo de la toma de corriente (si corresponde). Solo personal autorizado y cualificado debe reparar el equipo.
- Limpie el equipo con un paño seco.
- Cumpla con las leyes y recomendaciones de eliminación de residuos aplicables, separe el plástico y el papel/cartón para desechar el embalaje.
- Mantenga las bolsas de plástico fuera del alcance de los niños.

PARA DISPOSITIVOS DISEÑADOS PARA SER CONECTADOS A LA FUENTE DE ALIMENTACIÓN PRINCIPAL:

- ATENCIÓN: Si su equipo tiene un cable de alimentación con un enchufe con conexión a tierra, debe conectarse a la red eléctrica con conexión a tierra. Nunca retire la conexión a tierra del cable de alimentación.
- Si su equipo ha estado expuesto a cambios extremos de temperatura, permita que alcance la temperatura ambiente antes de encenderlo. De lo contrario, la humedad y la condensación pueden dañar el equipo.
- Antes de enchufar el equipo, asegúrese de que el voltaje y la frecuencia coincidan con las especificaciones del equipo. Si el equipo dispone de selector de tensión, sólo conéctelo a la toma de corriente si los valores coinciden. Si el cable de alimentación o el adaptador no se ajustan a su toma de corriente, comuníquese con un electricista.
- No pise el cable de alimentación. Asegúrese de que no esté doblado en la toma de corriente, el adaptador o la conexión del equipo.
- Mantenga el cable de alimentación o el adaptador al alcance de la mano y desconecte el equipo de la fuente de alimentación cuando no esté en uso o cuando lo esté limpiando. Desenchufe siempre el cable o el adaptador tirando del enchufe o del adaptador, no del cable. Nunca toque el cable o el adaptador con las manos mojadas.
- Evite encender y apagar el equipo con frecuencia, ya que esto puede reducir su vida útil.
- **IMPORTANTE:** Solo reemplace los fusibles con aquellos del mismo tipo y clasificación. Si un fusible se quema repetidamente, comuníquese con un centro de servicio autorizado.
- Para desconectar completamente el equipo de la red eléctrica, desenchufe el cable de alimentación o el adaptador de la toma de corriente.
- Si su dispositivo tiene un conector de alimentación PowerCON el conector correspondiente debe desbloquearse antes de poder retirarlo. Tenga cuidado al tender los cables, ya que el equipo puede deslizarse o caerse si se tira del cable de alimentación.
- Desenchufe el cable de alimentación o el adaptador antes de un período prolongado de desuso o en caso de riesgo de tormenta eléctrica y/o caída de rayos.
- Instale el equipo únicamente cuando esté desconectado de la fuente de alimentación.
- Para evitar daños y sobrecalentamiento, personal cualificado debe limpiar el equipo con regularidad según las condiciones ambientales, como polvo, nicotina y niebla.

Si el producto contiene los siguientes símbolos, lea atentamente:



PRECAUCIÓN: Para reducir el riesgo de descarga eléctrica, no retire la tapa (o la parte trasera). No hay partes reparables por el usuario en el interior del aparato. El mantenimiento y las reparaciones deben ser realizados exclusivamente por personal de servicio cualificado.



El triángulo de advertencia con el símbolo de un rayo indica un voltaje no aislado peligroso dentro de la unidad, que puede causar una descarga eléctrica.



El triángulo de advertencia con signo de exclamación indica instrucciones importantes de operación y mantenimiento.

INFORMACIÓN IMPORTANTE

¡ADVERTENCIA! INFORMACIÓN IMPORTANTE SOBRE PRODUCTOS DE ILUMINACIÓN

1. Este producto está diseñado específicamente para su uso profesional y no está diseñado para usarse como iluminación doméstica.
2. Es importante evitar mirar directamente al haz de luz, incluso durante un breve período de tiempo.
3. No se deben utilizar instrumentos ópticos, como lupas, para mirar directamente al haz.
4. Si es sensible a los efectos estroboscópicos, es posible que le provoquen un ataque epiléptico. Si tiene epilepsia, es importante evitar los lugares donde se usan luces estroboscópicas.

CONTENIDO DEL PAQUETE

- 1 x Horizon E300 RGBAL
- 1 x Cable señal DMX512 de 3 pines - 2 m
- 1 x Cable de corriente con PowerCON (sin Schuko)- 1.4 m
- 1 x Manual de usuario

ESPECÍFICACIONES

- Voltaje: AC 110-240V. 50/60Hz
- Potencia: módulo LED 300W
- Factor de potencia: 0.93
- Peso: 5.26 kg (Peso Neto)
- Óptica necesaria opcional: 25/50 ó 15/30

PRECAUCIONES EN LA INSTALACIÓN Y MANTENIMIENTO DEL EQUIPO

- Asegúrese de que se conecta al voltaje apropiado. Asegúrese que el voltaje utilizado se encuentre dentro del rango de voltaje especificado en los parámetros técnicos.
- Este proyector es un componente frágil, opere con especial cuidado cuando lo manipule, cuando no lo use colóquelo en su caja.
- No toque la pared de cuarzo de la bombilla directamente con la mano para evitar la explosión de la bombilla durante el funcionamiento debido al calor desigual. Si se la ha ensuciado límpiela inmediatamente con el alcohol.
- La bombilla puede emitir la luz fuerte incluso gran cantidad de rayos UV, evite mirarla directamente.
- Antes de conectar a la alimentación de 220V, realice inspecciones con el fin de asegurar que el cableado en la toma de corriente del interruptor de alimentación esté en un buen estado. Para garantizar el uso seguro de la alimentación, utilice una toma adecuada. El cable a tierra de este aparato es de doble color: amarillo y verde.
- La bombilla puede generar altas temperaturas durante el funcionamiento, por ello se necesita el enfriamiento por ventilación. No utilice el proyector hasta que la bombilla deje de estar caliente.
- Instale el aparato en un lugar estable y seguro. Asegúrese de que el cable de alimentación no está doblado, ni dañado y que no existe ninguna pieza floja o suelta (tornillos) causado por el transporte.
- A fin de garantizar la vida del dispositivo, no lo instale en lugares húmedos o en entornos que superen los 40°C. Garantice que los canales de ventilación estén despejados.
- Nunca debe instalarse sobre objetos inflamables, éstos deben estar a más de 1 metro del dispositivo.
- Apague siempre, desconecte la energía y permita que el aparato se enfríe antes de su manipulación.
- Este producto está diseñado sólo para uso en interiores.
- Desconecte siempre la alimentación antes de reparar o reemplazar piezas. El montaje o desmontaje debe ser realizado por un técnico cualificado.
- El cable de 3x1.5²:

DATA SHEET

INFORMATION GENERAL

Marca	Triton Blue
Nombre del modelo	Horizon E300 RGBAL
Número de código	10287039
Número EAN	8474407181112

FUENTE DE LUZ

Fuente	Modulo 300W COB RGBAL LED
Configuración LED CCT	1 COB LED x 300W Presets: 2800K, 3000K, 3200K, 4000K, 4300K, 5600K, 6000K
CRI	>92
Flujo luminoso Lux	22500lm No especificado

ÓPTICOS

Zoom	Lente requerida (optional): 25/50 o 15/30
Tipo de lente	Perfil óptico (Compatible con ETC Source Four)
Enfoque	Manual

SISTEMA DE COLOR

Mezcla de colores CCT	RGBAL 2800K to 6000K
--------------------------	-------------------------

EFECTOS DINÁMICOS

Resolución de control	8 or 16 Bit
Dimensiones Gobo	Rango máximo \varnothing 48 mm, diámetro exterior \varnothing 83 mm

CUERPO

Hardware on-board Cuerpo Color del cuerpo	Soporte Metal / Aluminio Negro
---	--------------------------------------

CONTROL

Protocolos Canales DMX Control inalámbrico RDM Pantalla Inversión de pantalla Batería de pantalla Otros	DMX512, Master/Slave 5 / 10 Canales No NA Pantalla LCD Sí No Curvas Dimmer: Lineal, Square law, Inverse square law, S-curve
--	--

ELECTRÓNICA

Alimentación de red	AC 110-240V, 50/60Hz
Consumo máximo de energía	300W
Factor de potencia	0.93
Corriente de entrada	N/A
Conexión de señal	XLR 3-pin IN/OUT REAN-Neutrik
Conexión de datos	XLR 3-pin IN/OUT REAN-Neutrik
Conexión de poder	PowerCON IN/OUT REAN-Neutrik

FÍSICO

Enfriamiento	Aire acondicionado + Tubo de calor
Suspensión y fijación	Tija (Asa trasera aislada incluida)
Peso	5.26 kg (Peso neto)
Dimensiones	310 x 250 x 350 mm (sin incluir tija ni lente)
Master Carton	2 Unidades

ACCESORIOS

Accesorios Incluidos	1x 3-pin DMX cable (2m) 1x PowerCON cable (1.4m) 1x User Manual
-----------------------------	---

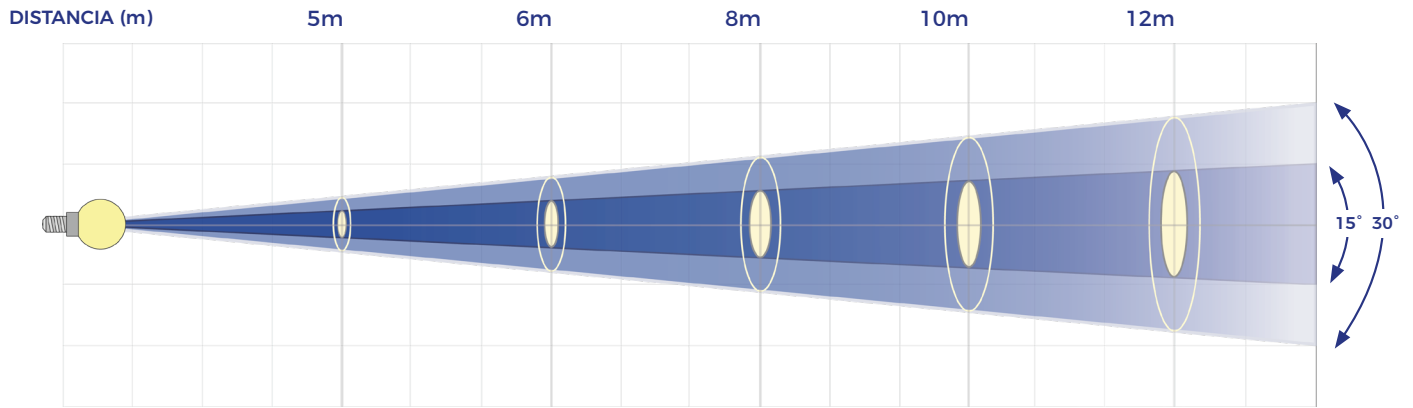
Accesorios Opcionales

Triton Blue Horizon L2550	10285812
Triton Blue Horizon L1530	10287053
Triton Blue Horizon R3 Portagobos	10287050
Triton Blue Horizon I JR	10287048
Triton Blue Horizon Iris	10285813

CERTIFICACIONES/APROBACIONES

Certificaciones	CE, RoHS
-----------------	----------

PHOTOMETRICS



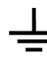
15° Lux

DISTANCIA (m)	5m	6m	8m	10m	12m
R	704lx	437lx	273lx	182lx	94lx
G	816lx	622lx	360lx	233lx	156lx
B	310lx	222lx	127lx	88lx	53lx
A	1025lx	730lx	427lx	282lx	180lx
L	985lx	704lx	417lx	273lx	192lx
RGBAL	3870lx	2734lx	1588lx	1037lx	725lx

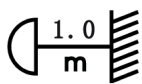
30° Lux

DISTANCIA (m)	5m	6m	8m	10m	12m
R	235lx	157lx	90lx	65lx	37lx
G	313lx	223lx	129lx	80lx	48lx
B	106lx	78lx	48lx	33lx	18lx
A	374lx	261lx	153lx	101lx	55lx
L	341lx	255lx	150lx	80lx	55lx
RGBAL	1310lx	955lx	560lx	357lx	202lx

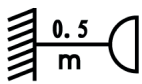


-  Línea a tierra
- N** Línea a neutra
- L** Línea de fase

- Descripción de los símbolos



Mantenga una distancia mínima de 1 metro entre la luz y el objeto iluminado.



Mantenga una distancia mínima de 0,5 metros entre la parte trasera de la luz y el objeto inflamable.



No es apto para instalarse directamente sobre la superficie de material inflamable.



Debe ser reciclado según la normativa UE sobre gestión de residuos para aparatos eléctricos y electrónicos

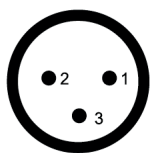
FUNCIONES PRINCIPALES

- Control maestro-esclavo, control interconectado de varias máquinas (hasta 10 por canal).
- Control DMX512, dirección DMX opcional.
- 8 bits 256 niveles (control de un solo canal), o puede especificar un nivel en 16 bits hasta 65535

DIAGRAMA INSTALACIÓN Y CONEXIÓN PROYECTOR COMPLETO

1) Conexión de señal:

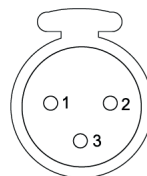
Conector hembra



DMX in

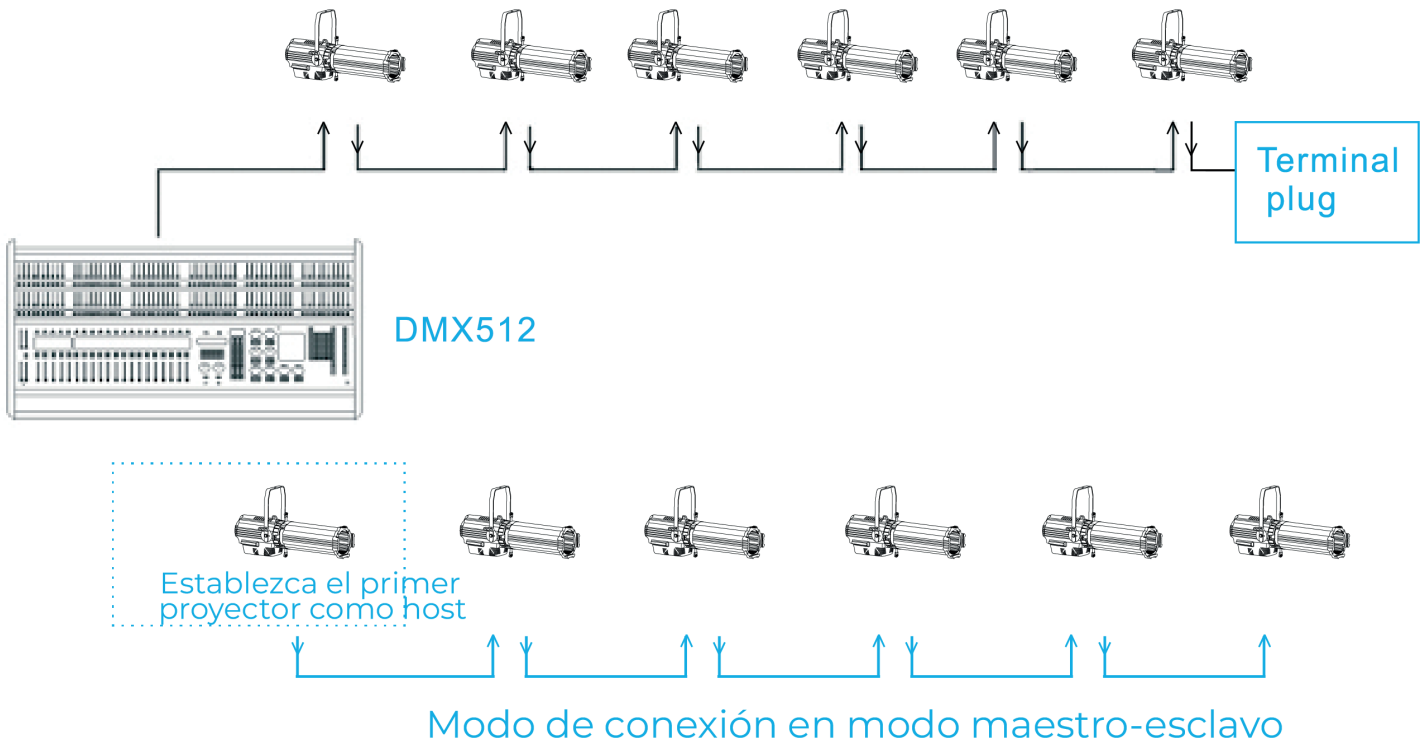
- 1-GND
- 2-signal (-)
- 3-signal (+)

Conector macho



DMX out

2) Conecte la línea de señal de las luces cuando use la luz (como se indica a continuación)



La señal de los proyectores de perfil de zoom LED está conectada en serie; el número de cada serie está limitado a 10. Más de este número, debe usar amplificador de señal..

FUNCIONES DEL PROYECTOR COMPLETO

Instrucciones de uso:

Instrucciones de funcionamiento: Presione la tecla de menú para alternar entre 11 efectos funcionales diferentes. Los dos primeros dígitos de la pantalla representan la función actual (consulte la tabla de funciones de referencia). Los dos últimos dígitos representan el código de dirección o la velocidad. Presione la tecla "up" o "down" para modificar los valores de los parámetros. Presione la tecla "enter" para confirmar.



3. Test manual de modo de regulación de 16 bits

La función en este modo es probar si un solo proyector puede operar normalmente, no enviará una señal DMX512 para influir en el resto de proyectores conectados. Presione arriba y abajo de Address al mismo tiempo y presione arriba/abajo del Dimmer para regular, se mostrará, XXXXX es el valor de brillo cuando se oscurece, en un rango de 0 a 65535.

Nota: este estado no será reservado.

4. Cuando la luz está encendida, no puede recibir la señal o no puede conectar el cable, la luz de fondo de la pantalla de cristal líquido parpadeará, por lo que podemos saber si el cable de conexión está conectado correctamente.

5. Ajuste el proyector

Saque por completo las cuatro cuchillas de ajuste (1) conecte la alimentación y el control de iluminación. Moviendo las lentes de enfoque puede ajustar el proyector a diferentes diámetros. Apriete el botón de enfoque (3) para conseguir el diámetro que necesita y se vea claro

6. Gobo

Escoja el soporte para gobo sde Triton-Blue (diámetro máximo imagen $\varnothing 64.5\text{mm}$, diámetro exterior $\varnothing 86\text{mm}$). La imagen mostrada se invierte. Coloque el gobo en el soporte y luego en la muesca del gobo (2). Apriete el botón de enfoque (3) para conseguir el diámetro que necesita y se vea enfocado.

7. Cuchillas

Ajuste Dimmer

Configuración de la dirección

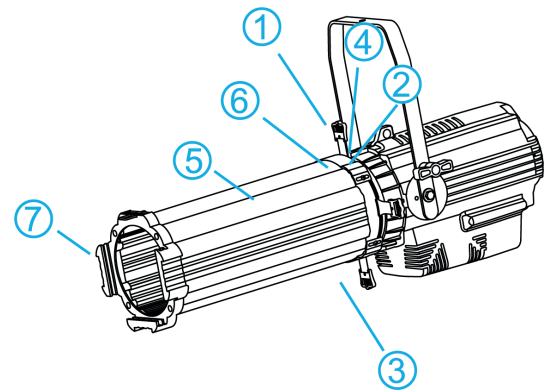
El espacio se mostrará de forma diferente cuando se ajusten las cuatro cuchillas de ajuste de iluminación (1). Si tiene una necesidad especial, puede destornillar el dispositivo frontal (4). La imagen puede inclinarse 45° girando el dispositivo frontalmente (5).

8. Iris

Si necesita más espacios de diferentes diámetros, puede elegir el iris de Triton-Blue. Afloje el tornillo de la entrada (6) en la parte superior del proyector, muévase hacia adelante para exponer el espacio y coloque el iris en su interior, ajuste el tamaño del iris y mostrará un espacio de diferente tamaño.

9. Filtro de color

Coloque el filtro en el portafiltros, abra la posición (7) y coloque el portafiltros en ella. O puede utilizar un accesorio específico (marco de cambio de color para proyector de recorte) controlado por Señal DMX512 con mezcla de colores RGBAL para un color más brillante.



FUNCIONES DISPLAY

Nº	Pantalla	Descripción de función
1	DMX-10CH D:001	Código de dirección de 9 canales (001-512) Arriba / abajo para cambiar el valor del código de dirección
2	DMX-5CH D:001	Código de dirección de 5 canales (001-512) Arriba / abajo para cambiar el valor del código de dirección
3	Function [099]	Cambio rápido (01-99) Arriba / abajo para la velocidad del salto
4	Gchange [099]	Cambio gradual (01-99) Arriba / abajo para modificar la velocidad del degradado y vibración
5	Pulse D:[099]	Cambio vibración (01-99) Arriba / abajo para modificar la velocidad del degradado y vibración
6	Voice Running	Cambio sonorización
7	Color R D:255	Escoger color rojo (000-255) Arriba / abajo para modificar color
8	Color G D:255	Escoger color verde (000-255) Arriba / abajo para modificar color
9	Color B D:255	Escoger color azul (000-255) Arriba / abajo para modificar color
10	Color A D:255	Escoger color ámbar (000-255) Arriba / abajo para modificar color
11	Color L D: 255	Escoger color lima (000-255) Arriba / abajo para modificar color

RECICLAJE

Embalaje:

1. El embalaje puede ser reciclado utilizando métodos de eliminación estándar y reintroducido en el ciclo de materiales reutilizables.

2. Por favor, sigue las leyes y regulaciones relativas a la eliminación y el reciclaje del embalaje en tu país.

Dispositivo:

1. Este dispositivo está sujeto a la Directiva de Residuos de Equipos Eléctricos y Electrónicos (WEEE) de la Unión Europea. Los aparatos electrónicos usados no deben ser eliminados con los residuos domésticos. Los dispositivos usados deben ser eliminados a través de una empresa de eliminación aprobada o una instalación de eliminación municipal. Por favor, cumple con las regulaciones aplicables en tu país.

2. Por favor, sigue todas las leyes y regulaciones de eliminación en tu país.

3. Como cliente, puedes obtener información sobre opciones de eliminación respetuosas con el medio ambiente del vendedor del producto o las autoridades regionales apropiadas.

DMX

5 channel

N°	Display	Function Description
1	R dimming	R dimming, linear dimming, from dark to bright
2	G dimming	G dimming, linear dimming, from dark to bright
3	B dimming	B dimming, linear dimming, from dark to bright
4	A dimming	A dimming, linear dimming, from dark to bright
5	L dimming	L dimming, linear dimming, from dark to bright

10 channel

N°	Display	Function Description
1	Total dimming	Total dimming, linear dimming, from dark to bright
2	Total strobe	Total strobe ,from slow to fast
3	Function choice	0-5: empty
		6-100: jump change
		101-150: gradually change
		151-200: pulse variable
		201-255: voice
4	Function speed	Function speed, from slow to fast
5	R dimming	R dimming, linear dimming, from dark to bright
6	G dimming	G dimming, linear dimming, from dark to bright
7	B dimming	B dimming, linear dimming, from dark to bright
8	A dimming	A dimming, linear dimming, from dark to bright
9	L dimming	L dimming, linear dimming, from dark to bright
10	Color temperature	2800K, 3000K, 3200K, 4000K, 4300K, 5600K, 6000K





TRITON BLUE

Más Información | More info at
www.triton-blue.com