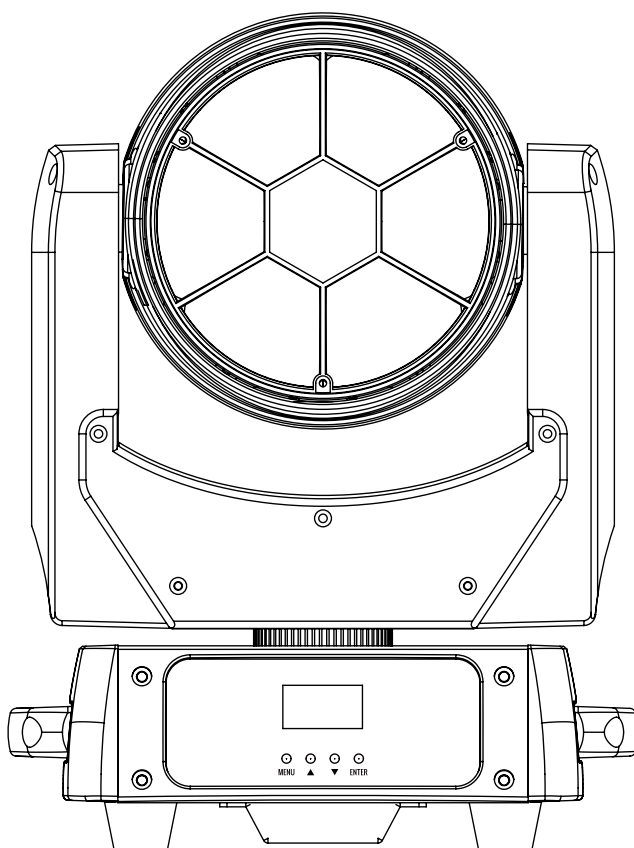




TRITON BLUE

# ORION W40

MOVING HEAD WASH 7 LED 40W RGBL  
CABEZA MÓVIL WASH 7 LED 40W RGBL



## MANUAL DE USUARIO USER'S MANUAL

Este manual contiene información importante: léalo antes de poner el dispositivo en funcionamiento.

This manual contains important information: read it before operating the device.



MADE IN PRC

Digital Audimagen BQ S.L. C/Río Almazora, 1C, Getafe, 28906, Madrid, Spain  
[www.triton-blue.com](http://www.triton-blue.com)

**INDEX / ÍNDICE****ENGLISH**

<b>INTRODUCTION .....</b>	<b>1</b>
<b>SAFETY INSTRUCTIONS .....</b>	<b>1</b>
<b>PACKAGE CONTENT .....</b>	<b>1</b>
<b>IMPORTANT INFORMATION .....</b>	<b>1</b>
<b>TECHNICAL INFORMATION .....</b>	<b>2</b>
<b>DATA SHEET .....</b>	<b>4</b>
<b>MEASURES .....</b>	<b>3</b>
<b>PHOTOMETRIC DIAGRAM .....</b>	<b>3</b>
<b>PARTS DESCRIPTION .....</b>	<b>3</b>
<b>SETTING .....</b>	<b>5</b>
<b>OPERATION INSTRUCTIONS .....</b>	<b>7</b>
<b>MAINTENANCE AND CLEANING .....</b>	<b>7</b>
<b>WARRANTY.....</b>	<b>8</b>

**ESPAÑOL**

<b>INTRODUCCIÓN .....</b>	<b>13</b>
<b>INSTRUCCIONES DE SEGURIDAD.....</b>	<b>13</b>
<b>CONTENIDO DEL PAQUETE .....</b>	<b>13</b>
<b>INFORMACIÓN IMPORTANTE .....</b>	<b>13</b>
<b>INFORMACIÓN TÉCNICA.....</b>	<b>14</b>
<b>DATA SHEET.....</b>	<b>15</b>
<b>MEDIDAS.....</b>	<b>16</b>
<b>FOTOMETRÍA.....</b>	<b>16</b>
<b>DESCRIPCIÓN PARTES.....</b>	<b>17</b>
<b>CONFIGURACIÓN .....</b>	<b>17</b>
<b>OPERATION INSTRUCTIONS .....</b>	<b>18</b>
<b>MANTENIMIENTO Y LIMPIEZA.. .....</b>	<b>23</b>
<b>GARANTÍA.....</b>	<b>23</b>

## INTRODUCTION

The Orion W40 is a compact, lightweight, fast and extremely bright moving head wash that projects a concentrated beam and a striking wash effect, a custom designed optical system with 7 x 40W RGBL LEDs creates an excellent mix of colors and a Zoom range of 4° to 45° that allows you to cover large areas.

## PACKAGE CONTENT

1 x Moving head Orion W40  
1 x Power cable  
1 x Omega brackets  
1 x User manual

Carefully unwrap the package, check the contents to ensure that all items are present and received in good condition. If any parts are missing or damaged, contact your supplier immediately and retain the packaging material for inspection.

## SAFETY INSTRUCTIONS



**CAUTION!** Keep this device away from rain and moisture! Unplug mains lead before opening the housing!

This device has left our premises in absolutely perfect condition. In order to maintain this condition and to ensure a safe operation, it is absolutely necessary for the user to follow the safety instructions and warning notes written in this manual.

## IMPORTANT INFORMATION

- The manufacturer will not accept liability for any resulting damages caused by the non-observance of this manual or any unauthorized modification to the device.
- Please consider that damages caused by manual modifications to the device are not subject to warranty.
- During the operation the housing becomes hot). Allow the fixture to cool approximately 20 minutes prior to manipulate with it.
- Make sure that the available voltage is not higher than stated on the rear panel.
- **WARNING!** This unit does not contain an ON/OFF switch. Always disconnect power input cable to completely remove power from unit when not in use or before cleaning or servicing the fixture.
- Make sure that the power-cord is never crimped or damaged by sharp edges. Check the device and the power-cord from time to time.
- Always disconnect from the mains, when the device is not in use or before cleaning it. Only handle the power-cord by the plug. Never pull out the plug by tugging the power cord.
- This device falls under protection class I. Therefore, it is essential to connect the yellow / green conductor to earth.

- The electric connection, repairs and servicing must be carried out by a qualified employee.
- Do not connect this device to a dimmer pack.
- Do not switch the fixture on and off in short intervals as this would reduce the lamp's life.
- During the initial start-up some smoke or smell may arise. This is a normal process and does not necessarily mean that the device is defective.
- Do not touch the device's housing bare hands during its operation (housing becomes hot)!
- For replacement use lamps and fuses of same type and rating only.

CAUTION! EYE DAMAGES!

Avoid looking directly into the light source! (Mean especially for epileptics)!

## TECHNICAL INFORMATION

### SPECIFICATIONS

- Powered by 7 LED x 40WW 4-IN-1 RGBL LED.
- Input Voltage: AC 100-260V 50/60Hz
- Power Consumption: 280W
- Control Signal: DMX512, master-slave and sound activated.
- Control Channel: 16/20 DMX Channels USITT DMX-512.
- Dimensions: 261 (D) x 158 (W) x 347 (H)mm.
- Net Weight: 5,6 kgs.

### FEATURES

- 4°~45° Smooth electronic linear zoom.
- Engineering grade nylon plastic, flame retardant and corrosion resistant.
- CTB and CTO, linear colour temperature 2500K-8000K changeable.
- 16.7million additive RGBL colours with full saturation control.
- Built-in programs that could be called up via a DMX controller.
- RDM compliant.
- 1-25t/s strobe effect and pulse strobe effect.
- 0-100% electronic dimming.
- 4-button OLED display on rear panel.
- POWERCON connector IN/OUT.
- 3-Pin XLR connectors IN/OUT.
- Overheat protection.
- -35°C ~ 45°C max ambient temperature.

## DATA SHEET

### GENERAL INFO

Brand	Triton Blue
Model Name	Orion W40
Code Number	10285820
EAN Number	8474407180146

### LIGHT SOURCE

Source	RGBW LED
LED Configuration	7 LED x 40W 4-IN-1 RGBW LED
CCT	Linear colour temperature 2500K-8000K changeable
Lux	9.500 Lux @ 5m (4° RGBW) / 400 Lux @ 5m (45° RGBW)

### OPTICS

Zoom	4°~45° Smooth electronic linear zoom
------	--------------------------------------

### COLOUR SYSTEM

Colour Mixing	16.7million additive RGBW colours with full saturation control
CCT	2500K-8000K

### DYNAMIC EFFECTS

Control Resolution	0-100% electronic dimming
--------------------	---------------------------

### BODY

Hardware on-board	Engineering grade nylon plastic, flame retardant and corrosion resistant
Pan	540°
Tilt	220°

### CONTROL

Protocols	DMX512
DMX Channels	16/20 DMX Channels
RDM	RDM compliant
Display	4-button OLED display on rear panel
Display Invert	Yes/No
Others	Master-slave and sound activated, Built-in programs

### ELECTRONICS

Mains Power Supply	AC 100-260V 50/60Hz
Max Power Consumption	280W
Signal Connection	3-Pin XLR connectors IN/OUT
Power Connection	POWERCON connector IN/OUT

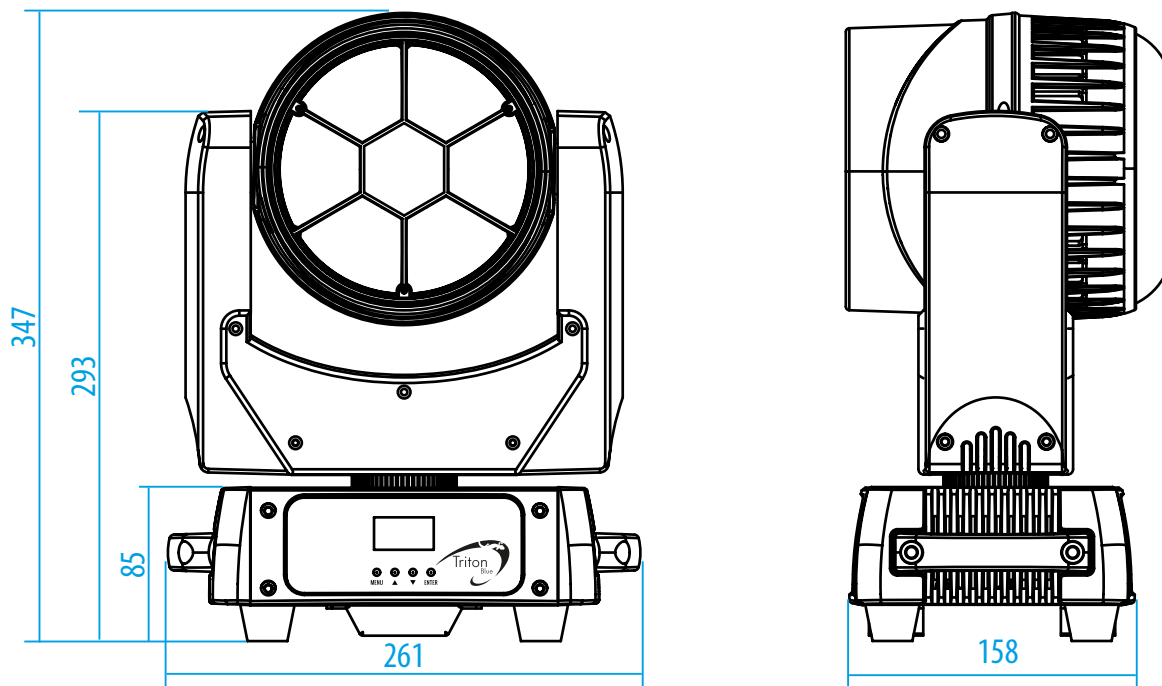
### PHYSICAL

Cooling	Cooling-fans
Suspension and Fixing	Omega brackets, Safety cable

### CERTIFICATIONS / APPROVALS

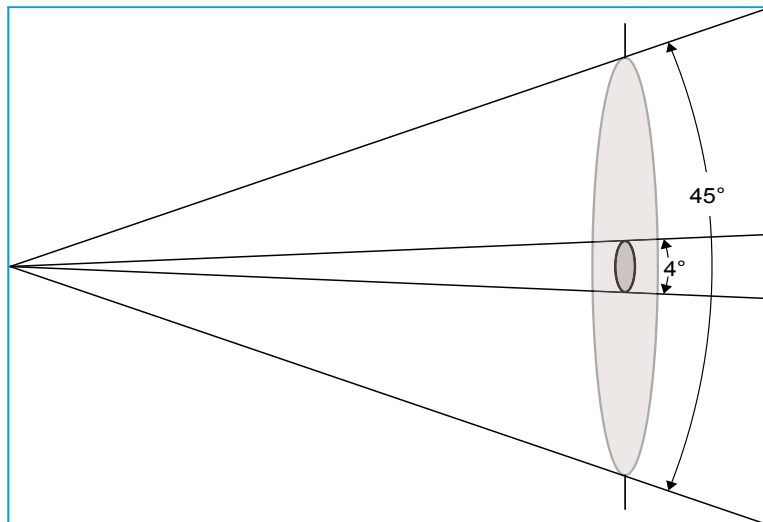
Certifications	CE, RoHs
----------------	----------

## MEASURES



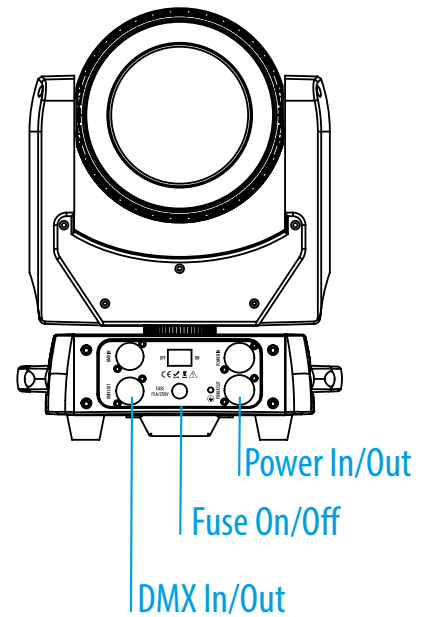
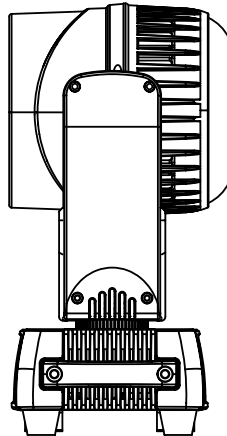
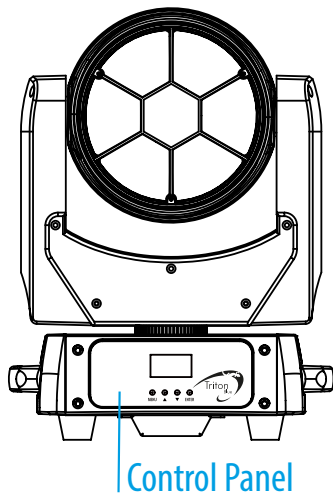
## PHOTOMETRIC DIAGRAM

Distance (m) 5 m  
 Beam width (meter, 4°/45°) 0,45 m / 4,0 m



Lux (4°/45°)	
R (Red)	1.920 Lux / 72 Lux
G (Green)	3.800 Lux / 43 Lux
B (Blue)	86 Lux / 4 Lux
L (Lime)	4.400 Lux / 86 Lux
All (RGBL)	9.500 Lux / 400 Lux

## PARTS DESCRIPTION



## SETTING

### 1.- Mounting

The Moving Head is fully operational in any mounting position, hanging upside-down, side mounted, or set on a flat level surface, etc.

**IMPORTANT: Safety cables must always be used when unit is ceiling or truss mounted. The safety cable must be capable of holding 10 times the weight of the fixture.**

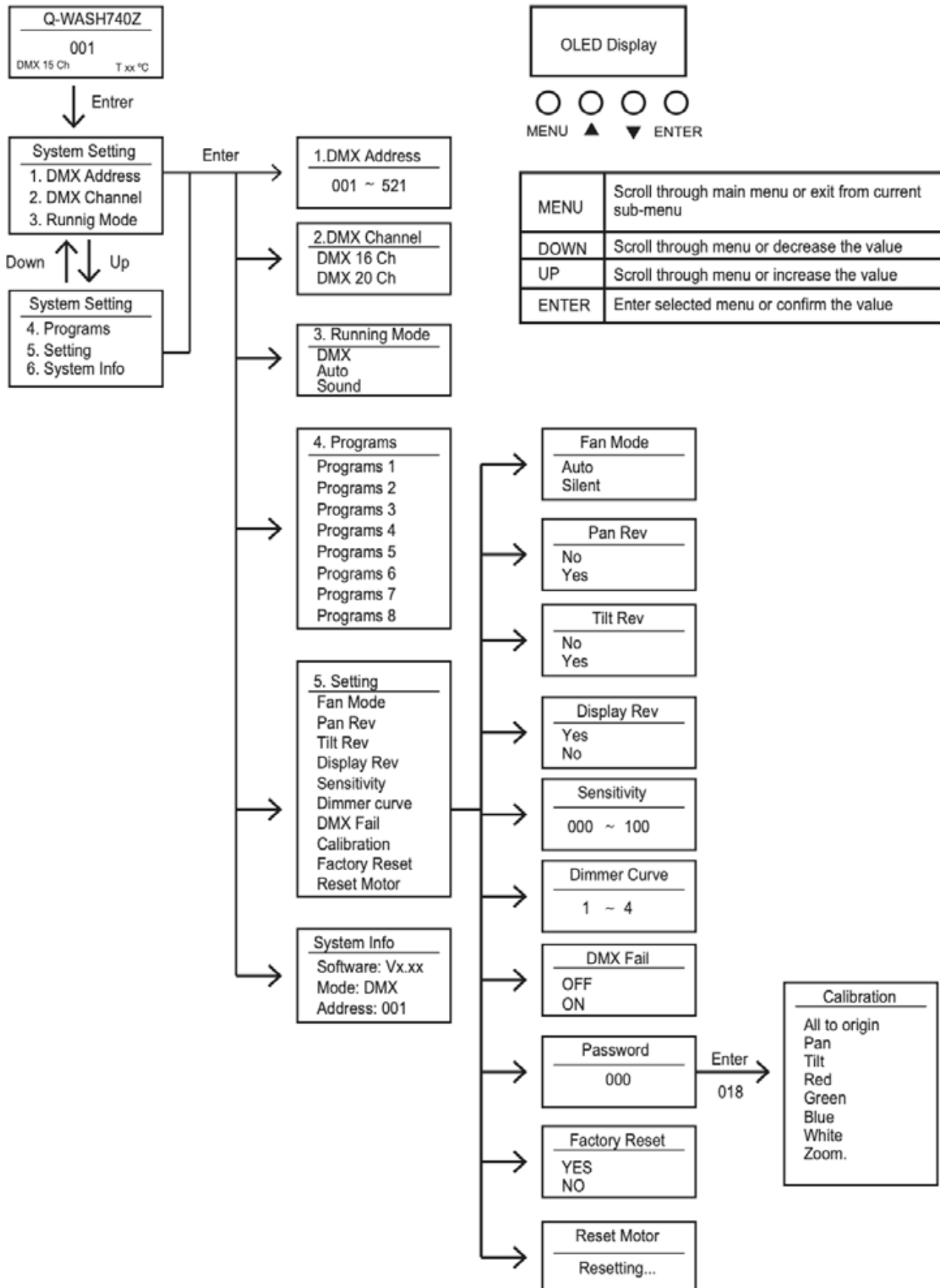
### 2.- AC Power

The fixture is designed to work on AC 90-240V 50-60Hz. All units must be powered directly from a switched circuit. This unit cannot be run on a rheostat or dimmer circuit even if used solely for a 0% to 100% switching.

**WARNING: All fixtures must be connected to circuits with a suitable Earth Ground.**

## OPERATION INSTRUCTIONS

### Menu Map



## DMX Channel

16 Ch	20 Ch	Functions	Notes
1	1	Red intensity 0-100%	
	2	Red fine	
2	3	Green intensity 0-100%	
	4	Green fine	
3	5	Blue intensity 0-100%	
	6	Blue fine	
4	7	Lime intensity 0-100%	
	8	Lime fine	
5	9	Various color temperture (CTO)	See details in CTO Table
6	10	Color Macro	See details in Color Macro Table
7	11	Strobo	See details in STROBE Table
8	12	Master Dimmer	
9	13	Dimmer fine	
10	14	PAN movement	
11	15	PAN fine	
12	16	TILT movement	
13	17	TILT fine	
14	18	Zoom	
15	19	Function control	See details in FUNCTION Table
16	20	Reset control	See details in RESET Table

## CTO Table ( 5 Ch / 9 Ch)

DMX Value	Functions
0-9	No function
10-53	7.000k - 8.000k
54-98	6.000k - 7.000k
99-116	5.600k - 6.000k
117-143	5.000k - 8.000k
147-187	4.000k - 5.000K
188-223	3.200k - 4.000k
224-254	2.500k - 3.200k
255	2.500k

## STROBO Table ( 7 Ch / 11 Ch )

DMX Value	Functions
0-3	Closed
4-103	Strobe from slow to fast
104-107	Open
108-207	Pulse from slow to fast
208-212	Open
213-225	Random strobe - slow
226-238	Random strobe - Medium
239-251	Random strobe - Fast
252-255	Open

## Color Macro Table ( 6 Ch / 10 Ch )

DMX Value	When RGBL out put Use Curve mode 1					
	No function	N° Color	R	G	B	L
000-009	No function	N° Color	R	G	B	L
10	Red	1	255	0	0	0
11	Green	2	0	255	0	0
12	Blue	3	0	0	255	0
13	Cyan	4	0	255	207	0
14	Yellow	5	255	218	0	0
15	Magenta	6	255	0	255	0
16	White 7.000k	7	255	154	14	255
17	White 3.7000k	8	118	99	13	255
18	White 5.000k	9	132	157	29	255
19	Black	10	0	0	0	0
020-022	Medium Yellow	11	255	118	0	0
023-026	Straw Tint	12	255	214	0	0
027-028	Surprise Peach	13	255	141	5	201
29	Fire	14	255	0	0	0
30	Medium Amber	15	255	113	2	30
31	Gold Amber	16	255	59	0	30
032-034	Dark Amber	17	255	0	0	63
035-044	Sunrise Red	18	255	26	4	0
45	Light Pink	19	255	59	145	0
046-048	Medium Pink	20	255	40	154	0
049-061	Pink Carnation	21	255	63	133	0
062-067	Light Lavender	22	29	36	77	0
068-077	Lavander	23	18	9	100	0
078-088	Sky Blue	24	0	0	255	11
089-099	Just Blue	25	0	4	107	0

# TRITON BLUE

ENGLISH

ESPAÑOL

100-109	Dark Yellow Green	26	36	220	3	0
110-111	Spring Yellow	27	255	193	0	0
112	Light Amber	28	255	150	0	0
113	Straw	29	255	118	6	29
114	Ambar deep	30	255	122	0	23
115-116	Orange	31	255	56	0	0
117	Light Rose	32	255	25	38	22
118	English Rose	33	255	61	0	15
119	Light Salmon	34	255	43	43	0
120	Middle Rose	35	255	50	162	0
121-122	Dark Pink	36	255	7	61	0
123-124	Magenta	37	255	0	109	0
125	Peacock Blue	38	27	255	72	6
126	Med Blue Green	39	0	255	11	11
127	Steel Blue	40	7	32	255	25
128	Light Blue	41	0	0	255	3
129-130	Dark Blue	42	0	3	0	72
131-133	Leaf Gree	43	113	255	1	0
134-135	Dark Green	44	9	255	0	2
136-137	Mauve	45	10	0	40	0
138-141	Bright Pink	46	255	0	99	17
142-144	Medium Blue	47	0	3	190	8
145	Deep Golden Amber	48	255	25	2	0
146	Pale Lavender	49	0	0	76	26
147-148	Special Lavender	50	0	3	66	6
149-150	Primary Green	51	0	255	0	0
151-156	Bright Blue	52	0	0	255	0
157-161	Apricot	53	255	77	0	0
162-167	Pale Gold	54	255	20	0	151
168-171	Deep Orange	55	255	53	0	0
172-173	Bastard Amber	56	255	86	12	0
174	Flame Red	57	255	0	0	0
175-178	Daylight Blue	58	6	18	140	0
179	Lilac Tint	59	32	25	130	0
180-183	Deep Lavender	60	61	68	130	20
184-190	Dark Steel Blue	61	61	67	255	0
191-206	Congo Blue	62	3	3	20	0
207	Alice Blue	63	0	7	255	0
208	Dirty White	64	246	180	180	0
209-255	White	65	255	166	0	255

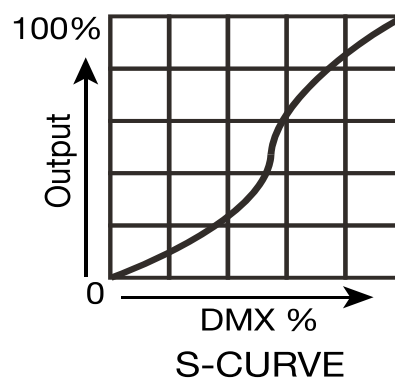
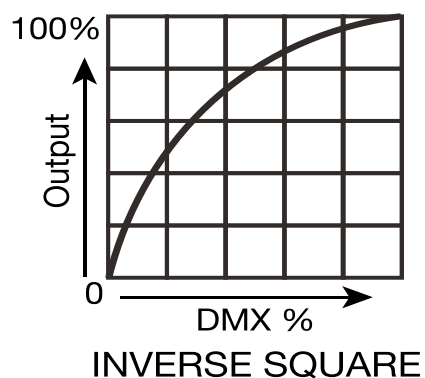
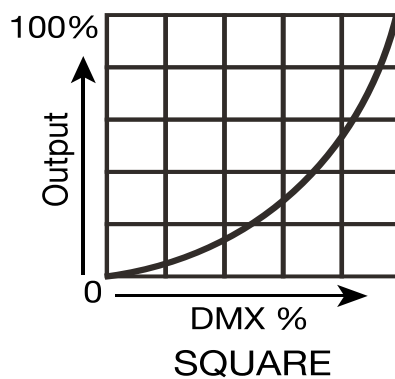
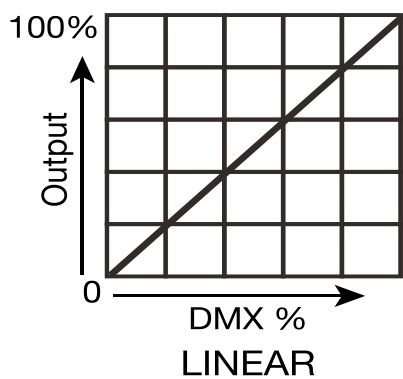
## Reset Table ( 16 Ch / 20Ch)

DMX Value	Functions
0-25	No function
26-76	Reset Zoom (Hold 3S)
77-127	Reset Pan/Tilt (Hold 3S)
128-255	Reset total (Hold 3S)

## Curves Table ( 15 Ch / 19 Ch)

DMX Value	Functions
0-11	No function
12-24	Fast P&T speed (Default)
25-37	Normal P&T speed
38-42	Dimmer curve 1 (Default)
43-47	Dimmer curve 2 (Default)
48-52	Dimmer curve 3 (Default)
53-57	Dimmer curve 4 (Default)
58-255	No function

## Dimmer curves



## MAINTENANCE AND CLEANING

It is absolutely essential that the fixture is kept clean and that dust, dirt and smoke-fluid residues must not build up on or within the fixture. Otherwise, the fixture 's light-output will be significantly reduced. Regular cleaning will not only ensure the maximum light-output, but will also allow the fixture to function reliably throughout its life. A soft lint-free cloth moistened with any good glass cleaning fluid is recommended, under no circumstances should alcohol or solvents be used!

- 1) The front objective lens will require weekly cleaning as smoke-fluid tends to building up residues, reducing the light-output very quickly. The cooling-fans should be cleaned monthly.
- 2) The interior of the fixture should be cleaned at least annually using a vacuum-cleaner or an air-jet. Remove dust and dirt from the fans and cooling vents using a soft brush and vacuum-cleaner.
- 3) Important! Check the air filters periodically and clean before they become clogged!
- 4) Clean two air filters placed in the fixture 's covers and two in the fixture base. Use a vacuum cleaner, compressed air or you can wash them and put back dry.
- 5) After replacing the air filters, reset the elapsed time counter in the menu "Information" (information- -->Air Filters- -->Elapsed Time).
- 6) Replacing the fuse. Before replacing the fuse, unplug mains lead.
  - a) Remove the fuse holder on the rear panel of the base with a fitting screwdriver from the housing (anti- clockwise).
  - b) Remove the old fuse from the fuse holder.
  - c) Install the new fuse in the fuse holder (only the same type and rating).
  - d) Replace the fuse holder in the housing and fix it.

## WARRANTY

- Warranty service is only valid under normal use.
- All man-made damage, such as inadequate access to power, the use of inappropriate accessories, non manual use, damage for transport and other accidents, non- approved repair or modification, misuse or damage caused by negligence, improper installation, are not in warranty.
- This warranty does not cover accessories, vulnerable parts, assistive devices, transportation and maintenance personnel on- site service fee.
- When you can not solve the problem or have questions, please contact us.

## INTRODUCCIÓN

El proyector Orion W40 es una cabeza móvil tipo wash compacta, liviana, rápida y extremadamente brillante que proyecta un haz concentrado y un efecto wash impactante, un sistema óptico diseñado a medida con 7 LED RGBL de 40 W crea una excelente mezcla de colores y un rango Zoom de 4° a 45° que le permite cubrir grandes áreas.

## CONTENIDO DEL PAQUETE

- 1 x Cabeza móvil Orion W40
- 1 x Cable de alimentación Powercon/Schucko
- 1 x Omega para montaje de garras
- 1 x Manual de usuario

Desenvuelva cuidadosamente el paquete, compruebe el contenido para asegurarse de están presentes todos los elementos y que se han recibido en buenas condiciones. Si falta alguna pieza o está dañada, póngase en contacto con su proveedor inmediatamente y retenga el material de embalaje para su inspección.

## SAFETY INSTRUCTIONS



¡PRECAUCIÓN! Mantenga este dispositivo alejado de la lluvia y la humedad. Desconecte el cable de alimentación antes de abrir la carcasa.

Este dispositivo ha salido de nuestras instalaciones en perfecto estado. Para mantener esta condición y garantizar una operación segura, es absolutamente necesario que el usuario siga las instrucciones de seguridad y las notas de advertencia escritas en este manual.

## INFORMACIÓN IMPORTANTE

- El fabricante no se hace responsable de los daños causados por no seguir lo descrito en este manual o por cualquier modificación no autorizada del aparato, por tanto no están cubiertos por la garantía.
- Este producto está diseñado solo para uso en interiores.
- Durante el funcionamiento, la carcasa se calienta. Deje que el aparato se enfríe unos 20 minutos antes de manipularlo.
- Asegúrese de que el voltaje disponible no es superior al indicado en el aparato.  
ADVERTENCIA! Esta unidad no contiene un interruptor ON/OFF. Desconecte siempre el cable de entrada de la alimentación para cortar la corriente del aparato cuando no esté en uso o antes de limpiar y/o reparar el aparato.
- Asegúrese que el cable de alimentación no esté doblado y/o dañado. Por su seguridad, compruebe el equipo y el cable de alimentación cada cierto tiempo.
- Desconecte siempre el aparato de la red eléctrica cuando no lo utilice o antes de limpiarlo. Manipule el cable de alimentación sólo por el enchufe. No tire nunca del enchufe. Nunca tire del cable de alimentación para desenchufarlo.
- Este aparato pertenece a la clase de protección I. Por lo tanto, es imprescindible conectar el conductor amarillo/verde a tierra.
- La conexión eléctrica, las reparaciones y el mantenimiento deben ser realizados por personal cualificado. No conecte este aparato a un dimmer (regulador de intensidad).

- No encienda y apague el aparato en intervalos cortos ya que esto reduciría la vida útil de la lámpara.
- Durante la puesta en marcha inicial puede salir algo de humo u olor. Se trata de un proceso normal y no significa necesariamente que el aparato esté defectuoso.
- No toque la carcasa del aparato con las manos desnudas durante su funcionamiento (la carcasa se calienta). Para posibles sustituciones utilice únicamente lámparas y fusibles del mismo tipo y potencia.
- Apague, desenchufe y deje que el aparato se enfríe antes de dar un nuevo servicio.
- Asegúrese de que el cableado del equipo esté debidamente conectado a tierra.
- Guarde este Manual para futuras consultas.
- Para evitar el riesgo de incendio o descarga eléctrica, no exponga el equipo a la lluvia ni a la humedad.
- Asegúrese de que el cable de alimentación nunca esté doblado o dañado.
- Desconecte la alimentación de la unidad cuando no se utilice durante largos períodos de tiempo.
- Nunca opere el equipo sin la cubierta.

¡PRECAUCIÓN! ¡DAÑO VISUAL!

Evite mirar directamente a la fuente de luz (con especial cuidado para afectados por epilepsia).

## INFORMACIÓN TÉCNICA

### ESPECIFICACIONES

- Equipo con 7 LED de 40W 4-IN-1 RGBL
- Voltaje de entrada: AC 100-250V 50/60Hz
- Consumo de energía: 280W
- Señal de control: DMX512, maestro-esclavo y musico-sensitivo
- Canal de control: 16/20 DMX Canales USITT DMX-512
- Dimensiones (Fondo x Ancho x Alto): 261x 158 x 347mm
- Peso neto: 5,6 kg

### CARACTERÍSTICAS

- Zoom electrónico lineal suave de 4°-45°
- Pan 540° / Tilt 220°
- CTB y CTO, temperatura de color lineal 2500K-8000K
- 16.7 millones de colores RGBL con control total de la saturación
- Programas integrados que se pueden activar mediante controlador DMX
- Compatible RDM
- Efecto estrobo 1-25t/s y por impulsos
- Dimmer electrónico 0-100%
- 4 Curvas para el dimmer
- Pantalla OLED de 4 botones en panel trasero
- Sistema omega soporte disponible para fijar
- Conector POWERCON entrada/salida
- Conectores XLR de 3 pines entrada/salida
- Protección contra sobrecalentamiento
- Temperatura ambiente máxima: -35°C ~ 45°C

## DATA SHEET

### INFORMATION GENERAL

Marca	Triton Blue
Nombre del modelo	Orion W40
Número de código	10285820
Número EAN	8474407180146

### FUENTE DE LUZ

Fuente	RGBW LED
Configuración LED	7 LED x 40W 4-IN-1 RGBW LED
CCT	Temperatura de color lineal 2500K-8000K variable
Lux	9.500 Lux @ 5m (4° RGBW) / 400 Lux @ 5m (45° RGBW)

### ÓPTICOS

Zoom	4°~45° Zoom lineal electrónico suave
------	--------------------------------------

### SISTEMA DE COLOR

Mezcla de colores	16.7million additive RGBW colores con control total de saturación
CCT	2500K-8000K

### EFFECTOS DINÁMICOS

Resolución de control	0-100% dimming electrónico
-----------------------	----------------------------

### CUERPO

Hardware integrado	Plástico de nailon de grado de ingeniería, ignífugo y resistente a la corrosión.
Pan	540°
Inclinación	220°

### CONTROL

Protocolos	DMX512
Canales DMX	16/20 Canales DMX
RDM	RDM compliant
Pantalla	Pantalla OLED de 4 botones en el panel trasero
Inversión de pantalla	Sí/No
Otros	Master-slave and sonido

### ELECTRÓNICA

Alimentación de red	AC 100-260V 50/60Hz
Consumo máximo de potencia	280W
Conexión de señal	3-Pin XLR conectores IN/OUT
Conexión de potencia	POWERCON conector IN/OUT

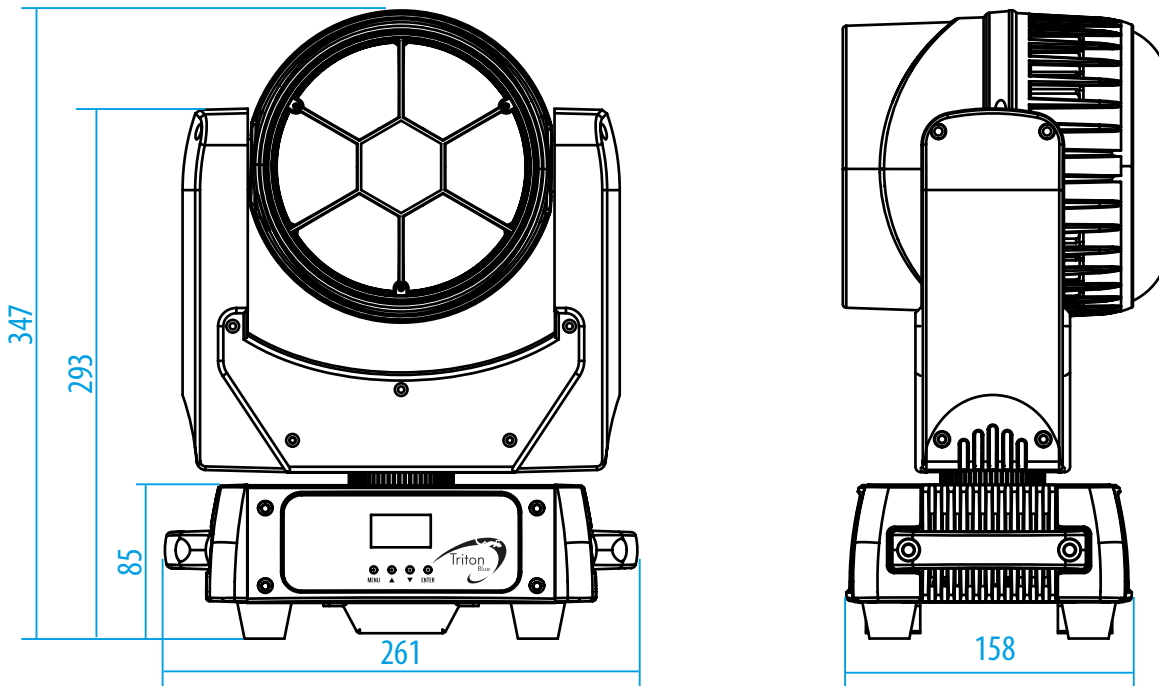
### FÍSICO

Enfriamiento	Ventiladores
Suspensión y fijación	Omega brackets, Cable de seguridad

### CERTIFICACIONES/APROBACIONES

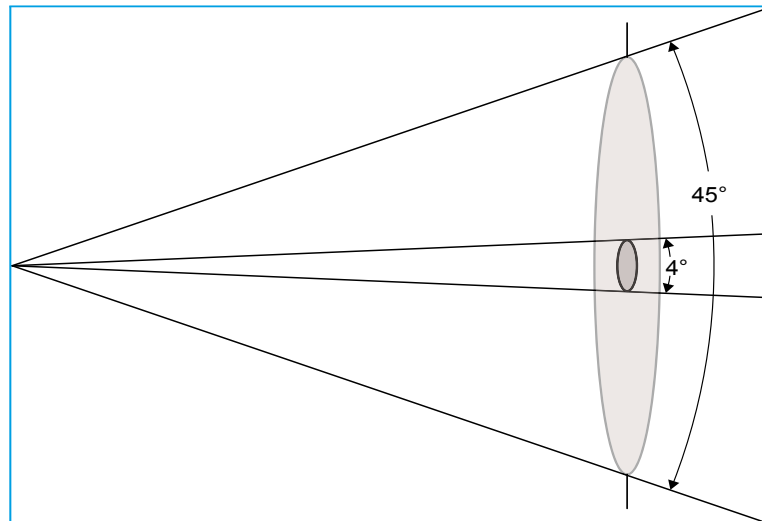
Certificaciones	CE, RoHs
-----------------	----------

## MEDIDAS



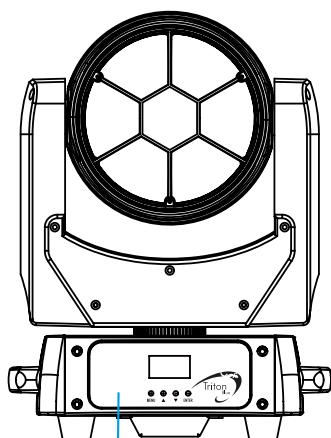
## DIAGRAMA FOTOMÉTRICO

Distancia (m) 5 m  
 Ancho de haz (metro, 4°/45°) 0,45 m / 4,0 m

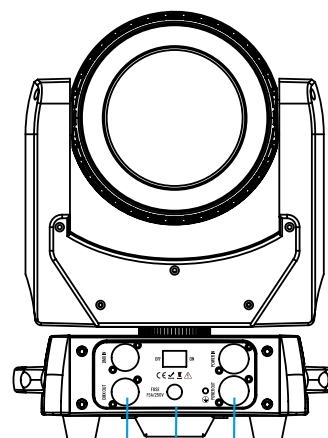
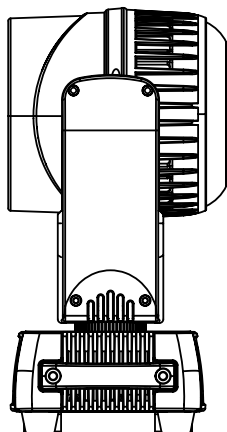


Lux (4°/45°)	
R (Rojo)	1.920 Lux / 72 Lux
G (Verde)	3.800 Lux / 43 Lux
B (Azul)	86 Lux / 4 Lux
L (Lima)	4.400 Lux / 86 Lux
All (Todos)	9.500 Lux / 400 Lux

## DESCRIPCIÓN PARTES



Panel de control



In/Out Power

On/Off/Fusible

In/Out DMX

## CONFIGURACIÓN

### 1.- Montaje

La cabeza móvil es totalmente operativa en cualquier posición de montaje, colgando boca abajo, montada lateralmente, colocada sobre una superficie plana, etc.

**IMPORTANTE:** Siempre se deben usar cables de seguridad cuando la unidad está montada en techo o viga. El cable de seguridad debe ser capaz de soportar 10 veces el peso del dispositivo.

### 2.- Alimentación AC

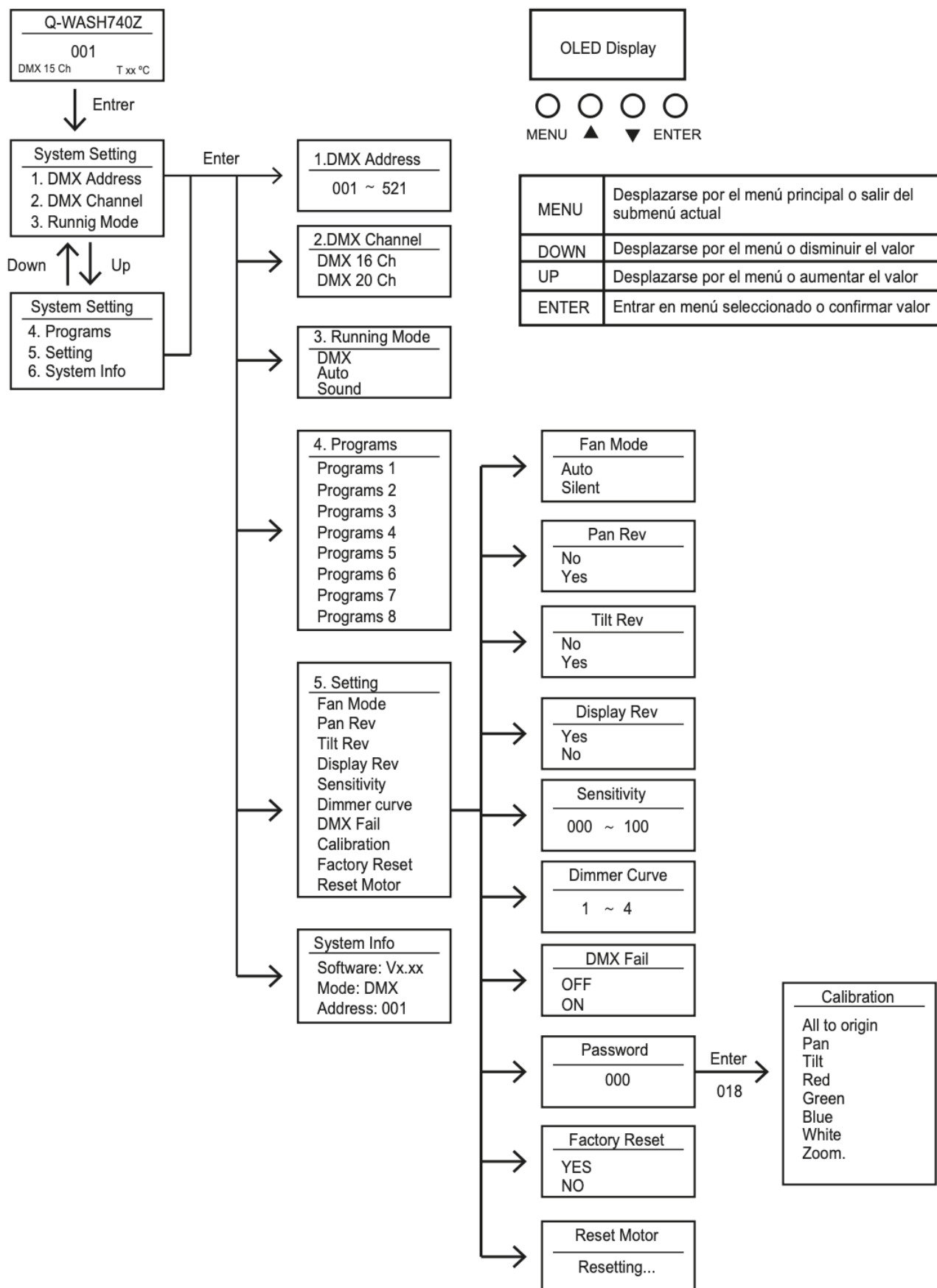
El accesorio está diseñado para funcionar con AC 90-240V 50/60Hz. Todas las unidades deben ser alimentadas directamente desde un circuito conmutado. Esta unidad no puede funcionar con un dimmer o un circuito de atenuación, incluso si se usa únicamente para una conmutación de 0% a 100%.

#### ADVERTENCIA:

Todos los accesorios deben estar conectados a circuitos con una conexión a tierra adecuada.

## CONFIGURACION

### Mapa menu



MENU	Desplazarse por el menú principal o salir del submenú actual
DOWN	Desplazarse por el menú o disminuir el valor
UP	Desplazarse por el menú o aumentar el valor
ENTER	Entrar en menú seleccionado o confirmar valor

## Canales DMX

16 Ch	20 Ch	Funciones	Notas
1	1	Intensidad Rojo 0-100%	
	2	Ajuste fino color Rojo	
2	3	Intensidad Verde 0-100%	
	4	Ajuste fino color Green	
3	5	Intensidad Azul 0-100%	
	6	Ajuste fino color Azul	
4	7	Intensidad Lima 0-100%	
	8	Ajuste fino color Lima	
5	9	Varias temperaturas de color (CTO)	Ver detalles en Tabla CTO
6	10	Macro color	Ver detalles en Tabla Macro Color
7	11	Strobo	Ver detalles en Tabla STROBO
8	12	Master Dimmer	
9	13	Ajuste fino dimmer	
10	14	Movimiento PAN	
11	15	Ajuste fino PAN	
12	16	Movimiento TILT	
13	17	Ajuste fino TILT	
14	18	Zoom	
15	19	Control de funciones	Ver detalles en Tabla FUNCIONES
16	20	Reset controles	Ver detalles en Tabla RESET

## Tabla CTO ( 5 Ch / 9 Ch)

DMX Value	Funciones
0-9	Sin función
10-53	7.000k - 8.000k
54-98	6.000k - 7.000k
99-116	5.600k - 6.000k
117-143	5.000k - 8.000k
147-187	4.000k - 5.000K
188-223	3.200k - 4.000k
224-254	2.500k - 3.200k
255	2.500k

**Tabla STROBO ( 7 Ch / 11 Ch )**

DMX Value	Funciones
0-3	Cerrado
4-103	Strobo de lento a rápido
104-107	Abierto
108-207	Strobo de lento a rápido
208-212	Abierto
213-225	Strobo aleatorio - Lento
226-238	Strobo aleatorio - Medio
239-251	Strobo aleatorio - Rapido
252-255	Abierto

**Tabla Macro Color ( 6 Ch / 10 Ch )**

DMX Value	Cuando la salida RGLB utilice el modo Curva 1					
	Sin función	Nº Color	R	G	B	L
000-009	Sin función	Nº Color	R	G	B	L
10	Rojo	1	255	0	0	0
11	Verde	2	0	255	0	0
12	Azul	3	0	0	255	0
13	Cyan	4	0	255	207	0
14	Amarillo	5	255	218	0	0
15	Magenta	6	255	0	255	0
16	Blanco 7.000k	7	255	154	14	255
17	Blanco 3.7000k	8	118	99	13	255
18	Blanco 5.000k	9	132	157	29	255
19	Cerrado (Black)	10	0	0	0	0
020-022	Amarillo medio	11	255	118	0	0
023-026	Straw Tint	12	255	214	0	0
027-028	Melocotón	13	255	141	5	201
29	Fuego	14	255	0	0	0
30	Ambar medio	15	255	113	2	30
31	Ambar oro	16	255	59	0	30
032-034	Ambar oscuro	17	255	0	0	63
035-044	Rojo amanecer	18	255	26	4	0
45	Rosa claro	19	255	59	145	0
046-048	Rosa medio	20	255	40	154	0
049-061	Rosa clavel	21	255	63	133	0
062-067	Lavanda claro	22	29	36	77	0
068-077	Lavanda	23	18	9	100	0
078-088	Azul cielo	24	0	0	255	11
089-099	Azul Solo	25	0	4	107	0

# TRITON BLUE

ENGLISH

ESPAÑOL

100-109	Dark Yellow Green	26	36	220	3	0
110-111	Spring Yellow	27	255	193	0	0
112	Light Amber	28	255	150	0	0
113	Straw	29	255	118	6	29
114	Ambar deep	30	255	122	0	23
115-116	Orange	31	255	56	0	0
117	Light Rose	32	255	25	38	22
118	English Rose	33	255	61	0	15
119	Light Salmon	34	255	43	43	0
120	Middle Rose	35	255	50	162	0
121-122	Dark Pink	36	255	7	61	0
123-124	Magenta	37	255	0	109	0
125	Peacock Blue	38	27	255	72	6
126	Med Blue Green	39	0	255	11	11
127	Steel Blue	40	7	32	255	25
128	Light Blue	41	0	0	255	3
129-130	Dark Blue	42	0	3	0	72
131-133	Leaf Gree	43	113	255	1	0
134-135	Dark Green	44	9	255	0	2
136-137	Mauve	45	10	0	40	0
138-141	Bright Pink	46	255	0	99	17
142-144	Medium Blue	47	0	3	190	8
145	Deep Golden Amber	48	255	25	2	0
146	Pale Lavender	49	0	0	76	26
147-148	Special Lavender	50	0	3	66	6
149-150	Primary Green	51	0	255	0	0
151-156	Bright Blue	52	0	0	255	0
157-161	Apricot	53	255	77	0	0
162-167	Pale Gold	54	255	20	0	151
168-171	Deep Orange	55	255	53	0	0
172-173	Bastard Amber	56	255	86	12	0
174	Flame Red	57	255	0	0	0
175-178	Daylight Blue	58	6	18	140	0
179	Lilac Tint	59	32	25	130	0
180-183	Deep Lavender	60	61	68	130	20
184-190	Dark Steel Blue	61	61	67	255	0
191-206	Congo Blue	62	3	3	20	0
207	Alice Blue	63	0	7	255	0
208	Dirty White	64	246	180	180	0
209-255	White	65	255	166	0	255

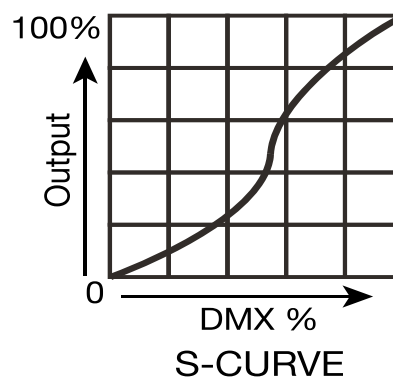
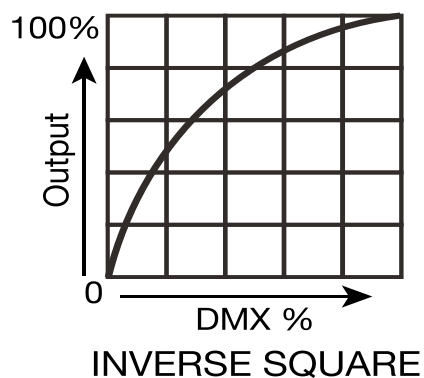
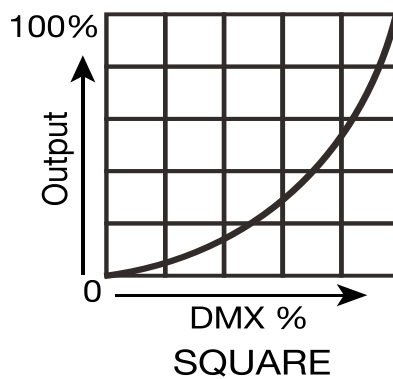
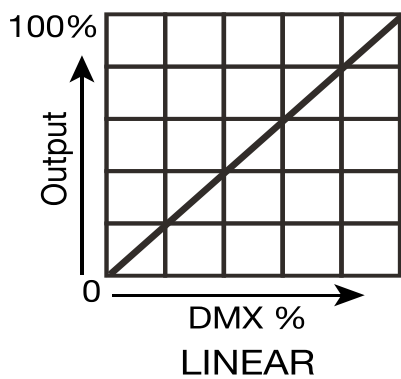
## Tabla Reset ( 16 Ch / 20Ch)

DMX Value	Funciones
0-25	Sin función
26-76	Reset Zoom (Hold 3S)
77-127	Reset Pan/Tilt (Hold 3S)
128-255	Reset total (Hold 3S)

## Tabla CURVAS ( 15 Ch / 19 Ch)

DMX Value	Funciones
0-11	Sin función
12-24	Velocidad rápida de P&T (predeterminado)
25-37	Velocidad normal de P&T
38-42	Curva de dimmer 1
43-47	Curva de dimmer 2
48-52	Curva de dimmer 3
53-57	Curva de dimmer 4
58-255	Sin función

## Curvas dimmer



## MANTENIMIENTO Y LIMPIEZA

Es absolutamente esencial que el equipo se mantenga limpio y que no se acumule polvo, suciedad ni residuos sobre la luminaria ni en su interior. De lo contrario, la potencia luminosa del equipo se reducirá considerablemente. Una limpieza regular no sólo garantizará la máxima potencia luminosa, sino que también permitirá que la luminaria funcione de forma fiable durante toda su vida útil. Se recomienda utilizar un paño suave, que no suelte pelusa, humedecido con un líquido limpiacristales específico; en ningún caso deben utilizarse alcohol ni disolventes.

- 1) La lente del objetivo frontal requiere una limpieza semanal. Los ventiladores de refrigeración deben limpiarse mensualmente.
- 2) El interior de la luminaria debe limpiarse al menos una vez al año con un aspirador o un chorro de aire. Elimine el polvo y la suciedad de los ventiladores y las rejillas de refrigeración con un cepillo suave y un aspirador.
- 3) ¡Importante! ¡Compruebe periódicamente los filtros de aire y límpielos antes de que se obstruyan!
- 4) Limpie dos filtros de aire colocados en las tapas de la luminaria y dos en la base de la luminaria. Utilice una aspiradora, aire comprimido o puede lavarlos y volver a secarlos.
- 5) Después de sustituir los filtros de aire, ponga a cero el contador de tiempo transcurrido en el menú "Información" (información- -->Filtros de aire- -->Tiempo transcurrido).
- 6) Sustitución del fusible. Antes de sustituir el fusible, desenchufe el cable de alimentación.
  - a) Retire el portafusibles situado en el panel posterior de la base con un destornillador adecuado (en sentido contrario a las agujas del reloj).
  - b) Retire el fusible antiguo del portafusibles.
  - c) Instale el nuevo fusible en el portafusibles (sólo del mismo tipo y capacidad).
  - d) Vuelva a colocar el portafusibles en la carcasa y fíjelo.

## GARANTÍA

- Los servicios de garantía sólo será válidos bajo situaciones de uso general.
- Todos los daños causados por un uso inadecuado, por ejemplo una mala conexión de alimentación, la utilización de un accesorio no contemplado en usos generales, el uso no siguiendo la normativa y precauciones de este manual, el daño causado por el transporte u otro accidente, la reparación o cambio en la estructura no aprobada por la empresa, el uso erróneo o el daño causado por la negligencia, la instalación inadecuada, etc., no están incluidos en esta garantía.
- Nuestros servicios de garantía no abarcan los costes de accesorios, piezas consumibles, dispositivos auxiliares, transporte y servicios a domicilio de técnicos.
- Si tiene problemas que no pueden resolverse o dudas, póngase en contacto con su distribuidor.





**TRITON BLUE**

Más Información | More info at  
[www.triton-blue.com](http://www.triton-blue.com)