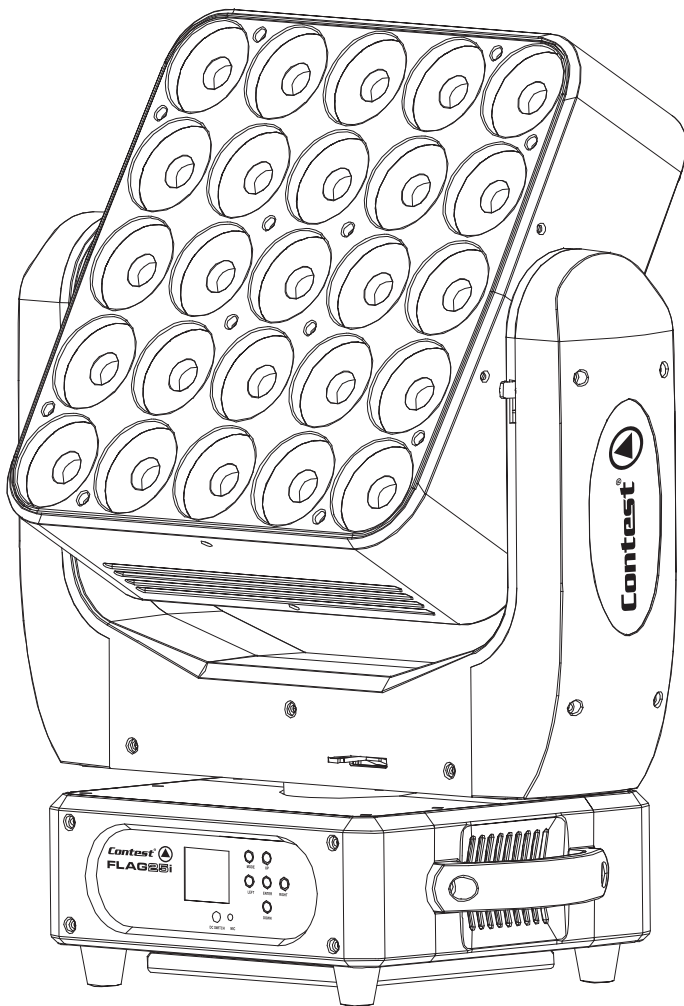


5 X 5 LEDS MOVING PANEL WITH ARTNET AND INFINITY MOVE



FLAG25i

1 - Safety information

Important safety information



This unit is intended for indoor use only. Do not use it in a wet, or extremely cold/hot locations. Failure to follow these safety instructions could result in fire, electric shock, injury, or damage to this product or other property.



Any maintenance procedure must be performed by a CONTEST authorised technical service. Basic cleaning operations must thoroughly follow our safety instructions.



This product contains non-isolated electrical components. Do not undertake any maintenance operation when it is switched on as it may result in electric shock.

Symbols used



This symbol signals an important safety precaution.



The WARNING symbol signals a risk to the user's physical integrity. The product may also be damaged.



The CAUTION symbol signals a risk of product deterioration.

Instructions and recommendations

1 - Please read carefully :

We strongly recommend to read carefully and understand the safety instructions before attempting to operate this unit.

2 - Please keep this manual :

We strongly recommend to keep this manual with the unit for future reference.

3 - Operate carefully this product :

We strongly recommend to take into consideration every safety instruction.

4 - Follow the instructions:

Please carefully follow each safety instruction to avoid any physical harm or property damage.

5 - Avoid water and wet locations :

Do not use this product in rain, or near washbasins or other wet locations.

6 - Installation :

We strongly encourage you to only use a fixation system or support recommended by the manufacturer or supplied with this product. Carefully follow the installation instructions and use the adequate tools. Always ensure this unit is firmly fixed to avoid vibration and slipping while operating as it may result in physical injury.

7 - Ceiling or wall installation :

Please contact your local dealer before attempting any ceiling or wall installation.

8 - Ventilation :

The cooling vents ensure a safe use of this product, and avoid any overheating risk. Do not obstruct or cover these vents as it may result in overheating and potential physical injury or product damage. This product should never be operated in a closed non-ventilated area such as a flight case or a rack, unless cooling vents are provided for the purpose.

9 - Heat exposure :

Sustained contact or proximity with warm surfaces may cause overheating and product damages. Please keep this product away from any heat source such as a heaters, amplifiers, hot plates, etc...

10 - Electric power supply :

This product can only be operated according to a very specific voltage. These information are specified on the label located at the rear of the product.

CAUTION

RISK OF ELECTRIC SHOCK

DO NOT OPEN

WARNING: This unit contains no user-serviceable parts. Do not open the housing or attempt any maintenance by yourself. In the unlikely even your unit may require service, please contact your nearest dealer.

In order to avoid any electrical malfunction, please do not use any multi-socket, power cord extension or connecting system without making sure they are perfectly isolated and present no defect.

Warning

This product is equipped with Class 2 LEDs.

Please avoid looking directly at the beam as it may cause severe eye injuries.

Recycling your device

- As HITMUSIC is really involved in the environmental cause, we only commercialise clean, ROHS compliant products.
- When this product reaches its end of life, take it to a collection point designated by local authorities. The separate collection and recycling of your product at the time of disposal will help conserve natural resources and ensure that it is recycled in a manner that protects human health and the

environment.

11 - Power cords protection:

Power-supply cords should be routed so that they are not likely to be walked on or pinched by items placed upon or against them, paying particular attention to cords at lugs, convenience receptacles and the point where they exit from the fixture.

12 - Cleaning precautions :

Unplug the product before attempting any cleaning operation. This product should be cleaned only with accessories recommended by the manufacturer. Use a damp cloth to clean the surface. Do not wash this product.

13 - Long periods of non use :

Disconnect the unit's main power during long periods of non use.

14 - Liquids or objects penetration :

Do not let any object penetrate this product as it may result in electric shock or fire.

Never spill any liquid on this product as it may infiltrate the electronic components and result in electric shock or fire.

15 - This product should be serviced when :

Please contact the qualified service personnel if :

- The power cord or the plug has been damaged.
- Objects have fallen or liquid has been spilled into the appliance.
- The appliance has been exposed to rain or water.
- The product does not appear to operate normally.
- The product has been damaged.

16 - Inspection/maintenance :

Please do not attempt any inspection or maintenance by yourself.

Refer all servicing to qualified personnel.

17 - Operating environment :

Ambient temperature and humidity: +5 - +35°C, relative humidity must be less than 85% (when cooling vents are not obstructed).

Do not operate this product in a non-ventilated, very humid or warm place.

2 - Introduction

Thank you for purchasing the FLAG25i moving head. You now have in your possession a high-quality, powerful and intelligent device absolutely perfect for parties, animations, live events...

3 - Technical specifications

Light source

- 25 x 15W LEDs
- 4-in-1 : Red, Green, Blue and White from the same source
- Expected lifespan of 50,000 hours
- Low temperature, low power consumption and works many hours continuously

Colours

- Configure each LED independently
- Colour macro
- Colour presets

Effects

- Letter, figure and number patterns with customisable colours
- Automatic or music-sensitive programs
- Adjustable strobe and random strobe
- Random strobe and random pulse for each pixel
- 1 -25 flashes per second strobe and random strobe

Adjustable electronic dimmer: 0 - 100%

Control

- Standard DMX-512
- 16, 21 and 117 DMX channels
- Ethernet port for Art-NET and KlingNET™ command protocols
- Assignable patch to every channel
- 22 built-in automatic and music-sensitive programs
- Automatic detection of the DMX, slave or master mode
- Colour LCD drop-down menu to choose and assign the different modes
- Battery-operated memory system to address and choose modes without the 230V power supply
- Compatible with RDM for console feedbacks

Movements

- 8 or 16 bits Pan and Tilt resolutions
- Ranges: Pan 540 or 630° - Tilt 265°
- Infinite PAN and TILT rotation
- The DMX and the menu allow you to adjust the movement speed
- Position memory and auto repositioning

Optical

- Beamwidth (for each lens): 4°
- Light output: 29700 Lux at 5m

Additional characteristics

- Powercon® IN/OUT sockets
- 3 and 5-pin DMX IN/OUT sockets
- Adjustable fan speed
- Power consumption: 420W max.
- Power supply: 100/240V, AC - 50/60Hz
- Net weight: 18.6 Kg

Package contents

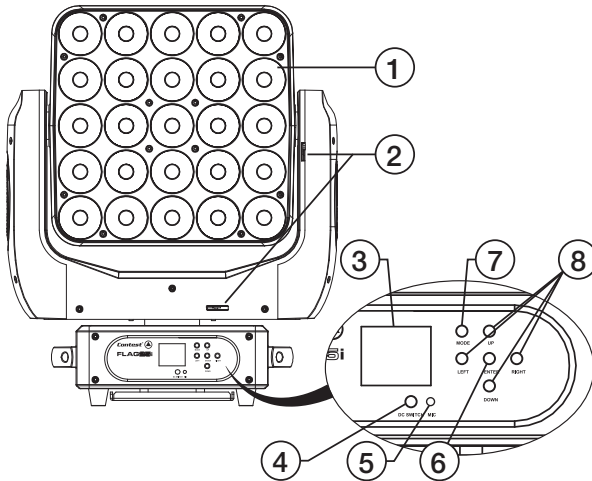
- Your FLAG25i
- 2 fixation brackets with Omega holders
- The user guide
- 1x2-pole + earth power cord / Powercon® socket

NOTE:

The internal software can be upgraded via the DMX port, using a specific tool.

This update can only be performed by a qualified technician.

4 - Description



1 - LEDs

2 - Locking latches

Allow you to lock the moving head movements while being transported.

3 - Display

Allows you to visualise menus.

4 - DC SWITCH button

Switches the menu on when the moving head is not plugged in.

5 - MIC

Used for music-sensitive modes.

6 - ENTER button

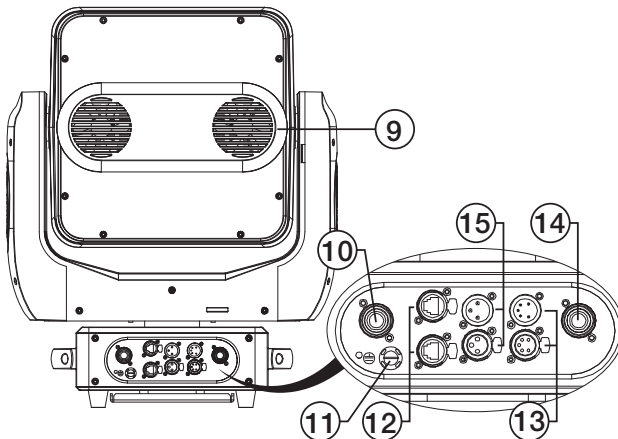
Selects functions and saves changes.

7 - MODE button

Allows you to browse through menus.

8 - UP / DOWN / LEFT / RIGHT Navigation button

Allows you to browse through menus and change values.



9 - Cooling fans

10 - Power input socket

Powercon® Neutrik® socket

11 - Fuse

Fuse: T3.15A - 250V ; 5 x 20 mm

12 - Ethernet input/output

RJ45 sockets.

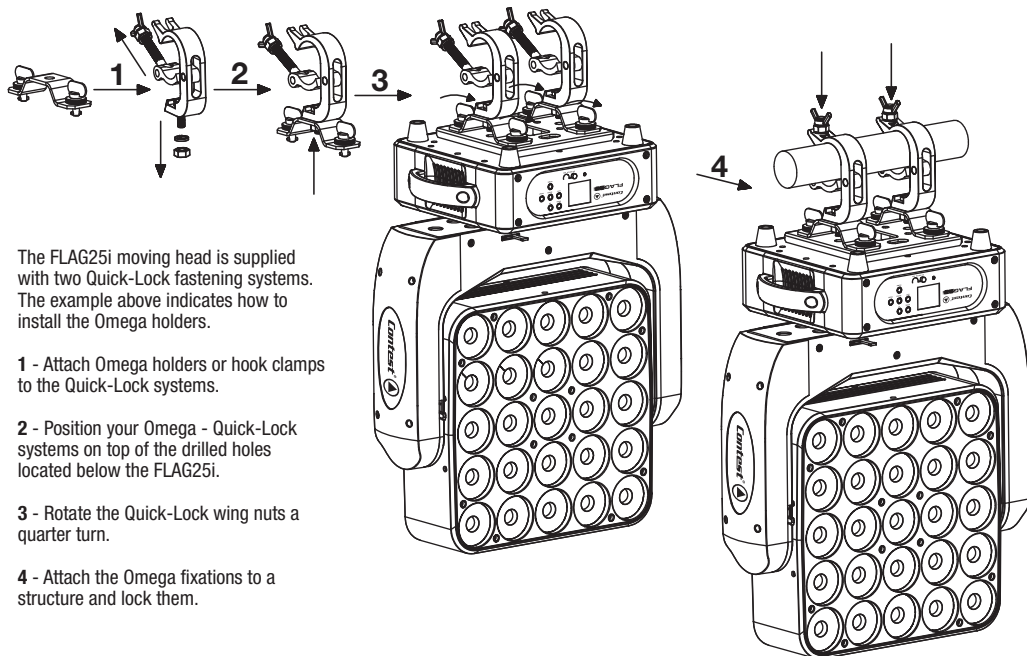
13 - DMX Input/output via 5-pin XLR

14 - Power output

Powercon® Neutrik® socket

15 - DMX Input/output via 3-pin XLR

5 - Installing Quick-Lock fastening systems



The FLAG25i moving head is supplied with two Quick-Lock fastening systems. The example above indicates how to install the Omega holders.

1 - Attach Omega holders or hook clamps to the Quick-Lock systems.

2 - Position your Omega - Quick-Lock systems on top of the drilled holes located below the FLAG25i.

3 - Rotate the Quick-Lock wing nuts a quarter turn.

4 - Attach the Omega fixations to a structure and lock them.

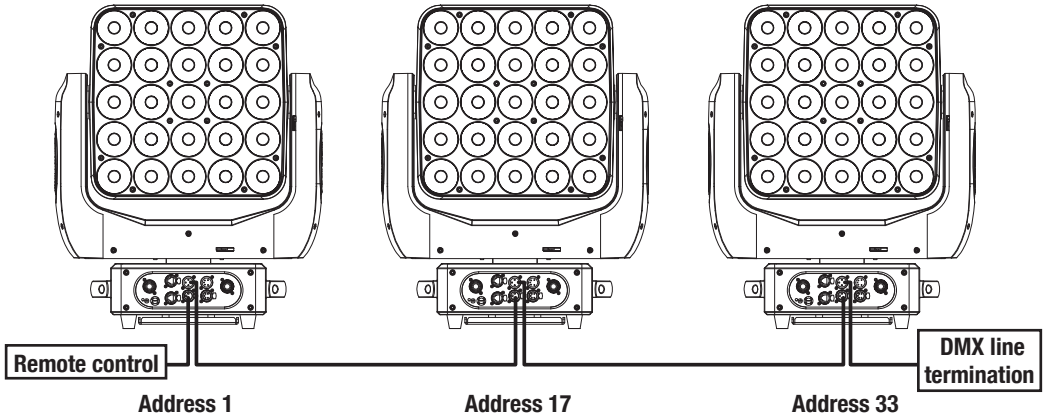


CAUTION !
Please make sure the hanging point is properly tightened. Using a safety wire is mandatory.

6 - Cabling, addressing and daisy chaining

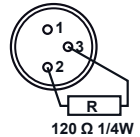
Connecting the DMX remote control :

Connect the female plug of your XLR cable to your DMX remote control XLR output, then connect your cable male output to the moving head. Daisy chain your moving heads with XLR cables.



Using a DMX line termination :

When long runs of cable are used (more than 100m, you may need to use a terminator on the last unit to avoid erratic behavior. A terminator is a 110-120 ohm 1/4 watt resistor which is connected between pins 2 and 3 of a male XLR connector. This unit is inserted in the female XLR connector of the last unit in your daisy chain to terminate the line.



Addressing the units :

Every unit must have a DMX address in order to respond to DMX signals. The address corresponds to the channel number on which the unit receives an incoming DMX signal sent by the DMX remote control. The DMX addressing can be performed by programming the channel number via the display located on the base of the unit.

You can either assign the same address to your units so they all react to the same signal, or assign a unique address per unit to control them independently.

In the example above, the FLAG25i uses 16 channels (standard mode).

You must skip 16 channels between each address you assign.

The address of the first unit will be 1, the second unit will be 17 (1+16), the third unit will be 33 (17+16) and so on.

NB : Once switched on, the FLAG25i automatically detects any incoming DMX signal and the display indicates the unit DMX address. If the unit does not receive any DMX signal, the display will flash. In such a case, please make sure the cable is properly plugged into the DMX input of your moving head, your remote control is switched on and the cables used are not defective.

Daisy chaining :

The POWERCON® input/output system allows you to daisy chain several FLAG25i units.

Warning: You cannot use the same chain to supply more than 8 FLAG25i at 220V.

When using a 9th moving head, please use a new power source.



7 - Menus

The FLAG25i features many menus allowing you to configure its every move and function.

Press **MODE** to access the main menu.

Use the navigation keys to browse through submenus. Then press **ENTER** to access a submenu.

Use the  and  navigation keys to change values.

Press **ENTER** to save changes.

Press **MODE** again to leave a submenu.

Notes:

- Values in bold are the default values.
- In order to access menus when the moving head is turned off (thanks to the internal battery), press DC Switch and hold for more than 2 seconds. If the buttons are not used and remain inactive for 1 minute, the display will automatically turn off.
- When browsing through menus, values in blue are values currently in use. When entering a new value, it will be written in red until you save changes by pressing **ENTER**.

7.1 FUNCTION

This menu allows you to change the initial DMX address, visualise the channels DMX values and select an operating mode.

Submenus	Lower menus	Values	Description
Address	Set Address	From A001 to AXXX	Assigns a DMX address. The moving head automatically activates the DMX mode once the DMX address has been configured.
	Slave Set	Slave 1 , Slave 2, Slave 3	Allows you to determine how the moving head will react when the slave mode is activated.
Program	Auto	Alone , Master	Once the Automatic mode is activated, the moving head can operate by itself or as a Master unit.
	Sound	Alone , Master	Once the Music-sensitive mode is activated, the moving head can operate by itself (Alone) or as a Master unit (Master).

7.2 INFORMATION

This menu allows you to visualise the moving head running time, its temperature, and the current version of the internal software.

Submenus	Lower menus	Values	Description
Time. Info	Current	XXXX (hours)	Current running time since the unit was last switched on.
	Total Time	XXXX (hours)	Overall running time since the very first time the device was switched on.
	Last Clear	XXXX (hours)	Running time since the last running time reset.
	Timer PIN	PIN = 038	Password allowing you to reset the Last Run Time.
	Clear Last	ON/OFF	Allows you to reset the Last Run Time.
Temp. Info	Head. Temp	XXX °C/°F	Temperature of the projector head (°C).
Software. V	1U01 V1.03 2U01 V1.03 3U01 V1.03 4U01 V1.03		Current version of the internal software.
Model. Info	FLAG25i		Displays the name of your product
Error. Info	Pan, Tilt, ...		Displays function error(s)

7.3 PERSONALITY

This menu allows you to configure the moving head reactions, adjust the ventilation, customise the display and reset all functions to factory settings.

Submenus	Lower menus	Values	Description
Status	Remote. Add	ON/OFF	Activates the addressing via a DMX controller function.
	No DMX Mode	Close Shutter/ Hold /Auto Program/ Music Control	Configures the moving head reactions in case of DMX signal interruptions: <ul style="list-style-type: none"> • Close Shutter: The projector blacks out • Hold: The projector holds onto the last information received • Auto Program: The projector activates the Auto mode via built-in programs • Music Program: The projector activates the Music-sensitive mode via built-in programs
	Pan Reverse	ON/OFF	Reverses PAN movements.
	TiltReverse	ON/OFF	Reverses TILT movements.
	Pan Degree	Pan 540 Pan 630	<ul style="list-style-type: none"> • Determine the PAN movement range : • Pan540 : 540° rotation (1, 5 turn) • Pan630 : 630° rotation (1, 75 turn)
	Tilt. Degree	Tilt 215 Tilt 270	<ul style="list-style-type: none"> • Determine the TILT movement range : • Tilt215 : 215° rotation (0,6 turn) • Tilt270 : 270° rotation (0, 75 turn)
	Feedback	ON/OFF	The projector sends movement feedbacks

Submenus	Lower menus	Values	Description	
Status (continuation)	Mov Speed	Speed 1 ~ 4	Determines the AUTO mode movement speed : 1 = fastest ; 4 = slowest	
	Mic Sens	0 ~ 99%	Configures the internal mic sensitivity when using the music-sensitive mode	
	Stand By	OFF 01m ~99m (05m)	Sets a timer for the moving head to enter the sleep mode if no DMX signal has been received. The moving head will automatically resets when a DMX signal is detected again. The default value is 15 minutes.	
Fans. Set	Auto High		Allows you to adjust the fans speed (e.g. to reduce their noise)	
LCD. Set	ShutoffTime	02 ~60m (05m)	Timer after which the display shuts off when it remains inactive.	
	Display Rev	ON/OFF	Rotates the display on a 180° angle	
	Key Lock	ON/OFF	Allows you to lock the keyboard after a 15-second period of inactivity. The keyboard can be unlocked by pressing the Menu button for 3 seconds.	
	Disp Flash	ON/OFF	The display flashes when no DMX signal is detected.	
Temp. C/F	Celsius / Fahrenheit		Allows you to choose which unit of temperature will be displayed.	
Dim. Curve	<ul style="list-style-type: none"> • Standard • Stage • T V • Architectur • Theatre 		The dimmer gradation speed depends on the mode used. Please refer to chapter 8.2 for more information about this.	
Init. Status	Service PIN = XXX Auto Pro = XXX PAN = XXXetc		Allows you configure the initial state of each function when the projector is switched on.	
Default	ON/OFF		Resets to factory settings. Please note that user programs will be erased.	
ChannelValue	PAN, TILT, ...		Displays the value of each channel	
Ethernet	FixtureID	Service PIN	PIN=XXX	Service PIN 050
		RDM PID	XXXXX	Displays the RDM PID code
		Unit IP Addr	XXX.XXX.XXX.XXX	Sets the IP address of your device
		Universe	000 - 255	Sets the Universe address of your device
	ProtocolSet	ArtNet, KlingNet		Allows you to choose the Internet protocol used
	NetSwitch	ON/OFF		Activates or deactivates the Ethernet output

7.4 Reset

This menu allows you to reset the motors step-by-step (e.g. if positioning errors are detected).

Submenus	Description
Reset ALL	Resets all motors.
ResetPanTilt	Resets PAN and TILT motors.

7.5 User Mode

This menu allows you to choose one of the preset DMX modes (number of channels used) or edit your own patch (order and number of channels used).

Next chapter will detail more precisely functions assigned to each channel depending on the mode used.

Submenus	Values	Description
User Mode	Standard	This default mode uses 21 DMX channels with the most frequently used functions.
	Basic	Uses 16 channels, this is the simplest mode.
	Extend	This mode uses 117 channels, allowing you to separately control each colour of each LED independently
	User A	User Mode A
	User B	User Mode B
	User C	User Mode C
Edit A	Max Chan = XX PAN = CHXX ...etc	User mode A editing : - Max Channel is the number of channels used. - PAN = CHXX is the channel used by the PAN function. When a function is moved to another channel, it will be replaced by the former function using the same channels.
Edit B	Max Chan = XX PAN = CHXX ...etc	Similar
Edit C	Max Chan = XX PAN = CHXX ...etc	Similar

7.6 Edit Program

This menu allows you to select the programs assigned to each of the 3 program groups, edit the 9 built-in programs and edit the 250 scenes forming these programs.

The FLAG25i can be assigned to 3 different slave groups (via the Slave mode function in the Function menu).

The designated Master unit sends programs containing slave groups information.

Programs are sent in a loop as follows :

Slave units receive every program but only reacts to those assigned to their group.

A unit assigned to the Slave 2 group will only react to the Auto Pro Part 2 program.

Submenus	Values	Description
Select. Pro	Pro Part1 = Program 1 ~ 10 (Program 1) Pro Part2 = Program 1 ~ 10 (Program 2) Pro Part3 = Program 1 ~ 10 (Program 3)	Allows you to assign one of the 9 internal programs to each Pro Part X
EditProgram	Program 1 Program 2 ... Program 10 • Pro Test • Step 01 ~ 64	Allows you to select the scenes assigned to each program. Press ENTER to assign one of the available scenes to each step. A single scene can be assigned to different steps. Assign the End scene to the last step of the program to set the end of the program. Use the Pro Test submenu to visualise the scenes assigned to the program you are currently editing.
Edit. Sce	Scene 001 Scene 002 Scene 250 • Auto Program, PAN, TILT Fine, ... • Scene Time • Fade Time • Input By Outside	This submenu allows you to edit one of the 250 scenes. Select a scene and press ENTER. Sélect each function (PAN, TILT, ...etc) and press ENTER, then assign a value included between 000 and 255 to each function. Then indicate the scene duration (in seconds) and the fade out duration. The Input By Outside function allows you to receive a scene sent by a DMX controller.
Sce. Input	XXX - XXX	This submenu allows you to automatically record a scene sent by a DMX controller. You can store up to 250 scenes. Indicate the number of scenes you want to save, precising the opening and ending scenes. The opening scene selection uses the left and right arrow buttons. The ending scene selection uses the up and down arrow buttons. Press ENTER. The moving head now awaits incoming scenes from the DMX controller.

More details about program groups sequencing and scenes they include:

Example :

Program 2 includes scenes 10, 11, 12 and 13

Program 4 includes scenes 8, 9 and 10

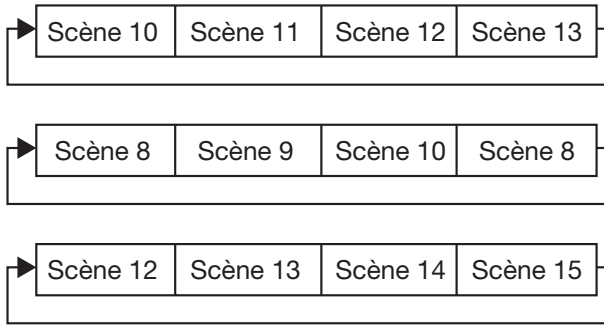
Program 6 includes scenes 12, 13, 14 and 15

Auto Pro Part 1 is assigned to program 2

Auto Pro Part 2 is assigned to program 4

Auto Pro Part 3 is assigned to program 6

The 3 slave groups will run the programs according to the same number of steps as follows:

**7.7 Effect**

This menu allows you to test and manually control each function, and recalibrate PAN and TILT movements.

Submenus	Values	Description
Test. Chan	AUTO PAN etc	Tests each function individually.
Manual. Ctrl	AUTO = XXX PAN = XXX etc	Controls each function manually.
Calibrate	-Password-	Password to unlock calibration = 050
	PAN = XXX TILT = XXX	Allows you to set very precisely the initial PAN and TILT positions (after a reset or when the moving head is turned on).

8 - Dmx channels and their functions

The FLAG25i moving head includes 3 preset DMX modes :

The Basic mode features 16 channels, the Standard mode features 21 channels and the Expert mode features 117 channels.

The following chart indicates DMX values of each channels.

Note : St = Standard, Ba = Basique et Ex = Expert.

8.1 DMX channels

Modes / Channels			DMX values	Functions and effects
St	Ba	Ex		
1	1	1	PAN movement	
			000 - 255	PAN movement
2		2	16-bit PAN movement	
			000 - 255	Very precise PAN movement settings
3	2	3	TILT movement	
			000 - 255	TILT movement
4		4	16-bit TILT movement	
			000 - 255	Very precise TILT movement settings
5	3	5	PAN/TILT movements speed and reaction	
			000 - 225	Fast to slow speed settings
			226 - 235	Black out during movements
			236 - 255	No function, max speed
6	4	6	Non-stop PAN movement	
			000 - 127	No function
			128 - 189	Rotation continue dans le sens horaire de rapide vers lent
			190 - 193	Pas de rotation
7	5	7	Mouvement TILT continu	
			000 - 127	Pas de fonction
			128 - 189	Clockwise fast-to-slow rotation
			190 - 193	No rotation
8	6	8	Strobe	
			000-007	LEDs off
			008-014	No function, LEDs on
			015-054	Slow to fast strobe
			055-061	No function, LEDs on
			062-101	Slow to fast pulse effect
			102-108	No function, LEDs on
			109-148	Slow to fast random strobe
			149-155	No function, LEDs on
			156-195	Slow-to-fast random pulse per pixel
			196-202	No function, LEDs on
203-242	Slow-to-fast random strobe per pixel			
243-255	No function, LEDs on			
9	7	9	Dimmer	
			000 - 255	Intensity: 0 - 100%
10	8		All LEDs red	
			000 - 255	000 : Black out - 255 : red 100%
11	9		All LEDs green	
			000 - 255	000 : Black out - 255 : vert 100%

12	10		ALL LEDs blue	
			000 - 255	000 : Black out - 255 : bleu 100%
13	11		All LEDs white	
			000 - 255	000 : Black out - 255 : blanc 100%
14	10		Colour macros	
			000 - 007	No function
			008 - 039	From Red to Yellow
			040 - 071	From Yellow to Green
			072 - 103	From Green to Cyan
			104 - 135	From Cyan to Blue
			136 - 167	From Blue to Magenta
			168 - 199	From Magenta to Red
			200 - 231	From Red to White
			232 - 255	Slow to fast Rainbow effect
15	11		Preset colours	
			000-004	No function
			005-009	White 2700°K
			010-014	White 3200°K
			015-019	White 4300°K
			020-024	White 5600°K
			025-029	White 6500°K
			030-034	White 8000°K
			035-039	Yellow
			040-044	Magenta
			045-049	Cyan
			050-054	Salmon
			055-059	Turquoise
			060-064	Light green
			065-069	Steel blue
			070-074	Orange
			075-079	Straw
			080-084	Light lavender
			085-089	Pink
			090-094	Green
			095-099	Red
			100-104	Blue
			105-109	White
			110-114	Rainbow Effect 1
			115-119	Rainbow Effect 2
			120-124	Rainbow Effect 3
			125-129	Rainbow Effect 4
			130-134	Rainbow Effect 5
			135-139	Rainbow Effect 6
			140-144	Rainbow Effect 7
			145-149	Rainbow Effect 8
			150-154	Rainbow Effect 9
			155-159	Rainbow Effect 10
160-164	Rainbow Effect 11			
165-169	Rainbow Effect 12			
170-174	Rainbow Effect 13			
175-179	Rainbow Effect 14			
180-184	Rainbow Effect 15			
185-189	Rainbow Effect 16			
190-194	Rainbow Effect 17			
195-199	Rainbow Effect 18			
200-255	Rainbow Effect 19			

16	12	12	Color Presets Dimmer	
			000 - 255	Intensity from 0 to 100%
			Preset patterns	
			000-010	No function
			011-013	0
			014-016	1
			017-019	2
			020-022	3
			023-025	4
			026-028	5
			029-031	6
			032-034	7
			035-037	8
			038-040	9
			041-043	A
			044-046	B
047-049	C			
050-052	D			
053-055	E			
056-058	F			
059-061	G			
062-064	H			
065-067	I			
068-070	J			
071-073	K			
074-076	L			
077-079	M			
080-082	N			
083-085	O			
086-088	P			
089-091	Q			
092-094	R			
095-097	S			
098-100	T			
101-103	U			
104-106	V			
107-109	W			
110-112	X			
113-115	Y			
116-118	Z			
119-121	Preset pattern 1			
122-124	Preset pattern 2			
125-127	Preset pattern 3			
128-130	Preset pattern 4			
131-133	Preset pattern 5			
134-136	Preset pattern 6			
137-139	Preset pattern 7			
140-142	Preset pattern 8			
143-145	Preset pattern 9			
146-148	Preset pattern 10			
149-151	Preset pattern 11			
152-154	Preset pattern 12			
155-157	Preset pattern 13			
158-160	Preset pattern 14			

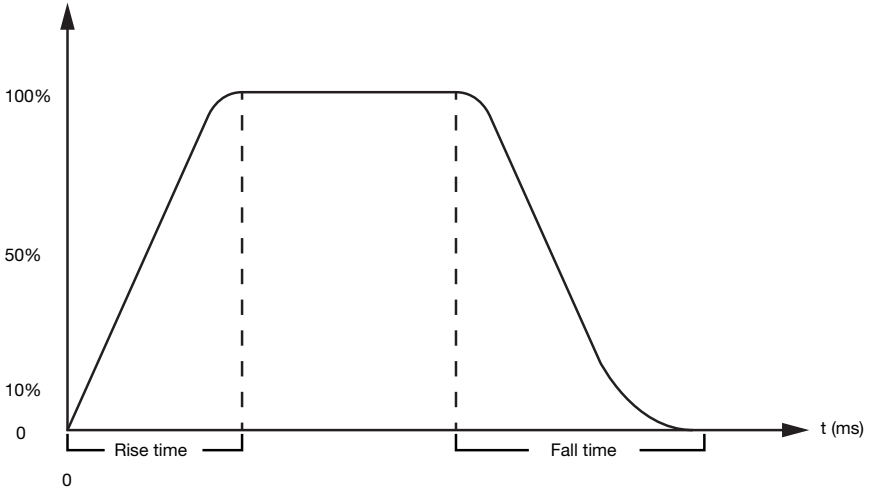
17 (conti- nuation)	12 (conti- nua- tion)	13 (conti- nuation)	161-163	Preset pattern 15
			164-166	Preset pattern 16
			167-169	Preset pattern 17
			170-172	Preset pattern 18
			173-175	Preset pattern 19
			176-178	Preset pattern 20
			179-181	Preset pattern 21
			182-184	Preset pattern 22
			185-187	Preset pattern 23
			188-190	Preset pattern 24
			191-193	Preset pattern 25
			194-196	Preset pattern 26
			197-199	Preset pattern 27
			200-202	Preset pattern 28
			203-205	Preset pattern 29
			206-208	Preset pattern 30
			209-255	Preset pattern 31
18	13	14	Sequences	
			000-010	No function
			011-015	Automatic program 1 with automatic colours
			016-020	Automatic program 2 with automatic colours
			021-025	Automatic program 3 with automatic colours
			026-030	Automatic program 4 with automatic colours
			031-035	Automatic program 5 with automatic colours
			036-040	Automatic program 6 with automatic colours
			041-045	Automatic program 7 with automatic colours
			046-050	Automatic program 8 with automatic colours
			051-055	Automatic program 9 with automatic colours
			056-060	Automatic program 10 with automatic colours
			061-065	Automatic program 11 with automatic colours
			066-070	Automatic program 12 with automatic colours
			071-075	Automatic program 13 with automatic colours
			076-080	Automatic program 14 with automatic colours
			081-085	Automatic program 15 with automatic colours
			086-090	Automatic program 16 with automatic colours
			091-095	Automatic program 17 with automatic colours
			096-100	Automatic program 18 with automatic colours
			101-105	Automatic program 19 with automatic colours
			106-110	Automatic program 20 with automatic colours
			111-115	Automatic program 21 with automatic colours
			116-120	Automatic program 22 with automatic colours
			121-125	Automatic program 1 with customized colours
			126-130	Automatic program 2 with customized colours
			131-135	Automatic program 3 with customized colours
			136-140	Automatic program 4 with customized colours
			141-145	Automatic program 5 with customized colours
			146-150	Automatic program 6 with customized colours
			151-155	Automatic program 7 with customized colours
			156-160	Automatic program 8 with customized colours
			161-165	Automatic program 9 with customized colours
166-170	Automatic program 10 with customized colours			
171-175	Automatic program 11 with customized colours			
176-180	Automatic program 12 with customized colours			

18 (suite)	13 (continuation)	14 (suite)	181-185	Automatic program 13 with customized colours
			186-190	Automatic program 14 with customized colours
			191-195	Automatic program 15 with customized colours
			196-200	Automatic program 16 with customized colours
			201-205	Automatic program 17 with customized colours
			206-210	Automatic program 18 with customized colours
			211-215	Automatic program 19 with customized colours
			216-220	Automatic program 20 with customized colours
			221-225	Automatic program 21 with customized colours
			226-255	Automatic program 22 with customized colours
19	14	15	Program speed	
			000 - 255	Slow to fast
20	15	16	Transition speed	
			000 - 255	Fast to slow
21	16	17	Internal programs and options	
			000 - 079	No function
			080 - 084	Resets all motors
			085 - 087	Resets PAN and TILT motors
			088 - 099	No function
			100 - 119	Built-in program 1 - Scenes from 1 to 8
			120 - 139	Built-in program 2 - Scenes from 9 to 16
			140 - 159	Built-in program 3 - Scenes from 17 to 24
			160 - 179	Built-in program 4 - Scenes from 25 to 32
			180 - 199	Built-in program 5 - Scenes from 33 to 40
			200 - 219	Built-in program 6 - Scenes from 41 to 48
220 - 239	Built-in program 7 - Scenes from 49 to 56			
240 - 255	Music-sensitive program - Program 1 scenes			
		18	LED 1 Red	
			000 - 255	000 : Black out - 255 : red 100%
		19	LED 1 Green	
			000 - 255	000 : Black out - 255 : green 100%
		20	LED 1 Blue	
			000 - 189	000 : Black out - 255 : blue 100%
		21	LED 1 White	
			000 - 255	000 : Black out - 255 : blue 100%

|
|
|
|

		114	LED 25 Red	
			000 - 255	000 : Black out - 255 : red 100%
		115	LED 25 Green	
			000 - 255	000 : Black out - 255 : green 100%
		116	LED 25 Blue	
			000 - 255	000 : Black out - 255 : blue 100%
		117	LED 25 White	
			000 - 255	000 : Black out - 255 : white 100%

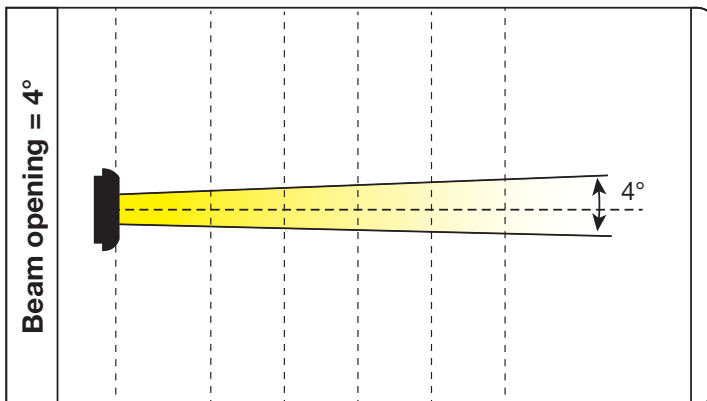
8.2 Different dimmer modes



Dimmer modes	From 0 - 255 with a 0 second fading time		From 0 - 255 with a 1 second fading time	
	Rise time in millisecond	Fall time in millisecond	Rise time in millisecond	Fall time in millisecond
Standard	0	0	0	0
Scene	780	1100	1540	1660
Television	1180	1520	1660	1940
Architectural	1380	1730	2040	2120
Theatre	1580	1940	2230	2280

9 - Photometric datas

Intensity (lux) 77344 70370 54413 40505 29722



Distance (m)

1 2 3 4 5

Diameter (m) (4°)

Ø 0,06 Ø 0,15 Ø 0,24 Ø 0,32 Ø 0,40

10 - Error messages

Once switched on the unit will launch an initialisation. The display will indicate «Error channel is XX» if a problem occurs with one or several channels.

The unit will then reset all its motors to their initial positions. The message may keeps appearing after 3 resets, meaning there are more than 3 errors. Channels cannot operate properly in the event of 3 errors or more, if they are less than 3 errors the defective channels will be disabled.

Error channel is 05: PAN movement error (yoke).

This message will appear upon initialisation if the PAN position magnetic sensor of your device is defective.

Error channel is 06: TILT movement error (head).

This message will appear upon initialisation if the TIL position magnetic sensor of your device is defective.

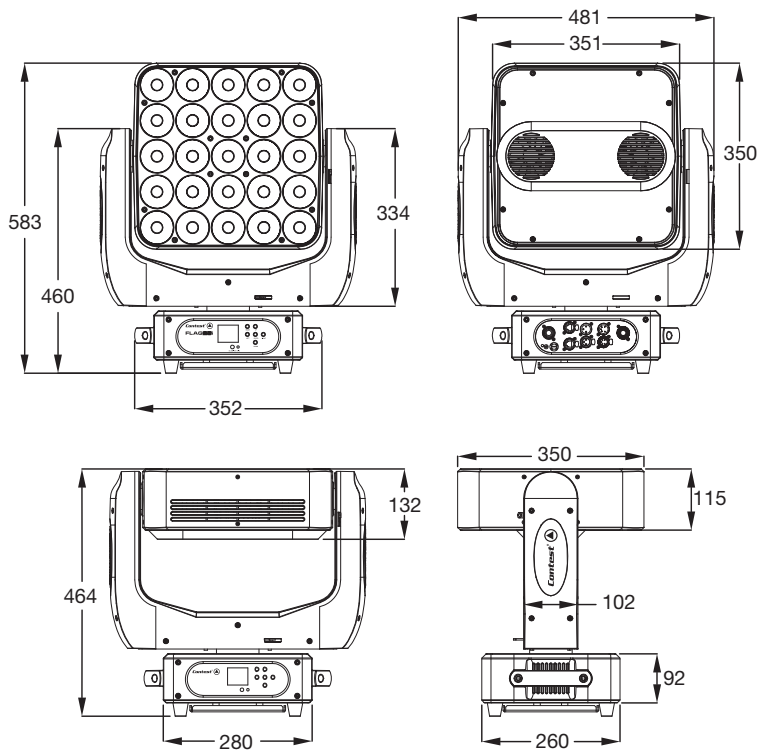
Errors may have various origins. Sensors are used to set the motors in their default position.

Either the magnetic sensors are defective, or the magnets have been displaced.

Problems might also come from a defective motor or the motor electronic management.

In any case, please write down the error displayed and contact your retailer to launch a maintenance procedure.

11 - Dimensions



Because CONTEST® takes the utmost care in its products to make sure you only get the best possible quality, our products are subjects to modifications without prior notice. That is why technical specifications and the products physical configuration might differ from the illustrations.

Make sure you get the latest news and updates about the CONTEST® products on www.contest-lighting.com
CONTEST® is a trademark of HITMUSIC S.A. - Zone Cahors sud - 46230 FONTANES - FRANCE