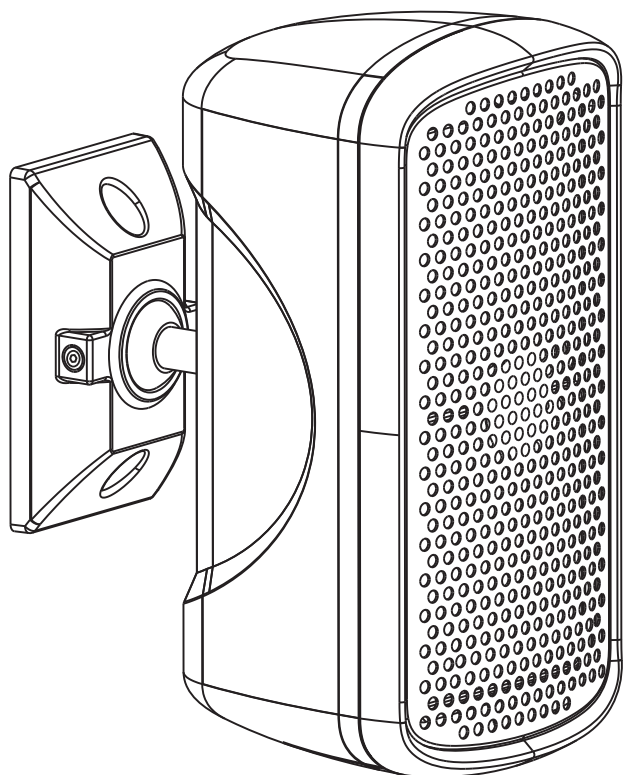


MIO-Sat225b



Wall-mount speakers

- 25W, 8 Ohms speaker
- For indoor use
- Compact satellites with orientable mounting brackets
- Subtle terminals integrated within the support

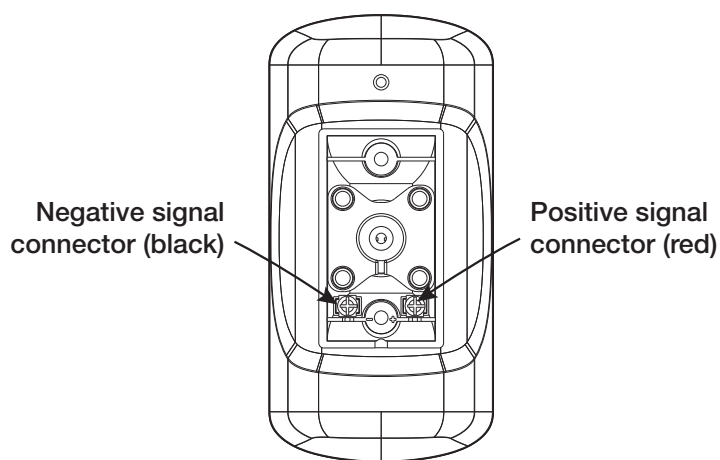
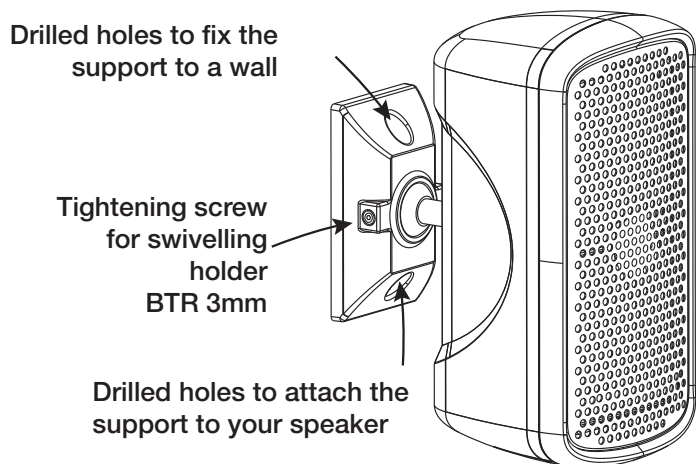
Power	25W RMS - 50W max.
Impedance	8 Ohms
Transducers	2 x 2.75" loudspeakers
SPL max. (@1m)	110dB
Frequency response	200 Hz - 15 KHz
Materials	ABS housing, black metal grille
Fixation system	Adjustable wall-mounting brackets supplied
Connectors	2 rear terminals integrated within the support
Dimensions (l x h x d)	90 x 180 x 136 mm
Weight	950 g


Package contents

- The package must contain the following articles:
- 2 MIO-Sat225b speakers
 - 2 supports to be clipped at the rear of your speakers

Please contact your retailer immediately if one article were to be missing.

Description





Caution: Please make sure you only use low-impedance amplifiers with a maximum output of 25W RMS at 8 Ohms

Dimensions

